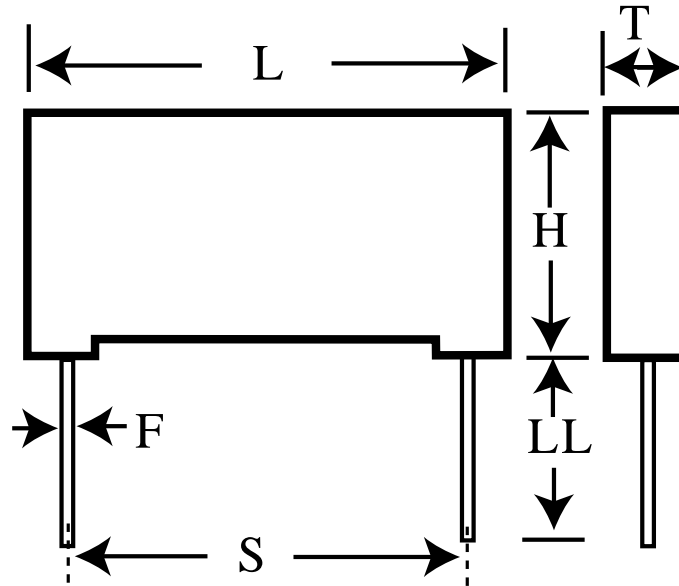


MMK5392K50J01L4BULK

aka F601JF392K050C

Capacitor, film, 3900 pF, +/-10% Tol, -55/+100C, General Purpose, 50V@85C, Lead Spacing=5 mm



Dimensions (mm)

Specifications

ID	Dimension	Tolerance
L	7.2	max
H	6.5	max
T	2.5	max
S	5	+/-0.4
LL	5	nom
F	0.5	nom

Manufacturer:	KEMET
Brand:	Evox
Capacitance:	3900 pF
Temperature Range:	-55/+100C
Rated Temperature:	85C
Voltage @ rated temp:	50V
Voltage AC:	30VAC
Tolerance:	+/-10%
Body Type:	Radial Box
Construction:	Wound
Application:	General Purpose
Dissipation Factor @ 1 kHz:	0.8%
Dissipation Factor @ 10 kHz:	1.2%
Dissipation Factor @ 100kHz:	2.5%
Insulation Resistance:	15 GOhm
Inductance:	6 nH
Maximum dVdT:	12v/us
Miscellaneous Electrical:	CECC 30401-042, IEC 60384-2, DIN 44122 series(MMK)
Package Kind:	Bulk
Package Quantity:	2000