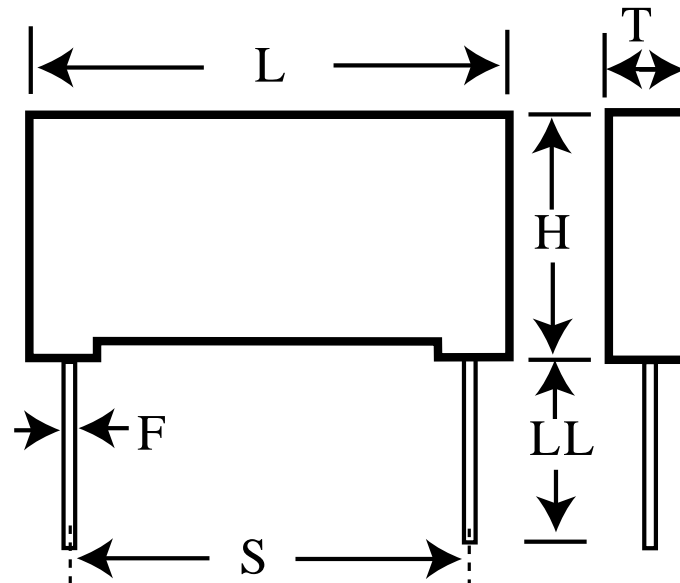


MMK5102M50J01L4BULK

aka F601JF102M050C

Capacitor, film, 1000 pF, +/-20% Tol, -55/+100C, General Purpose, 50V@85C, Lead Spacing=5 mm



Dimensions (mm)

Specifications

ID	Dimension	Tolerance	Manufacturer:	KEMET
L	7.2	max	Brand:	Evox
H	6.5	max	Capacitance:	1000 pF
T	2.5	max	Temperature Range:	-55/+100C
S	5	+/-0.4	Rated Temperature:	85C
LL	5	nom	Voltage @ rated temp:	50V
F	0.5	nom	Voltage AC:	30VAC
			Tolerance:	+/-20%
			Body Type:	Radial Box
			Construction:	Wound
			Application:	General Purpose
			Dissipation Factor @ 1 kHz:	0.8%
			Dissipation Factor @ 10 kHz:	1.2%
			Dissipation Factor @ 100kHz:	2.5%
			Insulation Resistance:	15 GOhm
			Inductance:	6 nH
			Maximum dVdT:	12v/us
			Miscellaneous Electrical:	CECC 30401-042, IEC 60384-2, DIN 44122 series(MMK)
			Package Kind:	Bulk
			Package Quantity:	2000