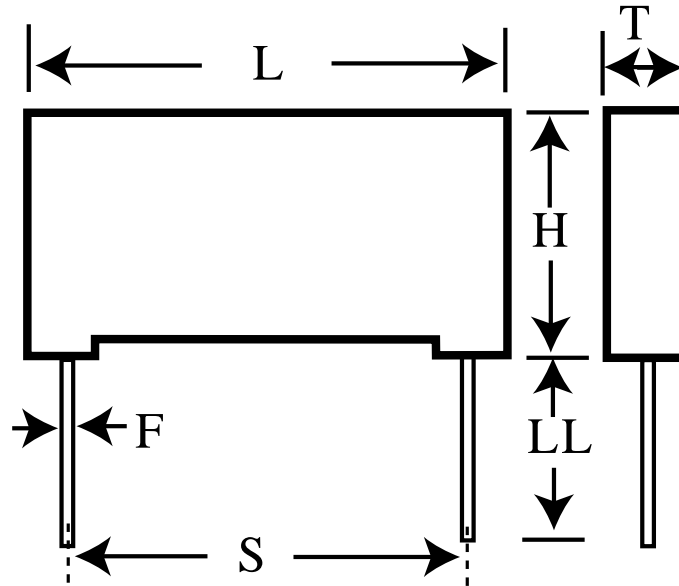


MMK27.5226J63F13L4TRAY

aka F601FM226J063C MMK27,5226J63F13L4TRAY

Capacitor, film, 22 uF, +/-5% Tol, -55/+100C, General Purpose, 63V@85C, Lead Spacing=27.5 mm



Dimensions (mm)

Specifications

ID	Dimension	Tolerance	Manufacturer:	KEMET
L	31.5	max	Brand:	Evox
H	24.5	max	Capacitance:	22 uF
T	14.5	max	Temperature Range:	-55/+100C
S	27.5	+/-0.4	Rated Temperature:	85C
LL	5	nom	Voltage @ rated temp:	63V
F	0.8	nom	Voltage AC:	40VAC
			Tolerance:	+/-5%
			Body Type:	Radial Box
			Construction:	Wound
			Application:	General Purpose
			Dissipation Factor @ 1 kHz:	1%
			Insulation Resistance:	227.27 MOhm
			Inductance:	6 nH
			Maximum dVdT:	2v/us
			Miscellaneous Electrical:	CECC 30401-042, IEC 60384-2, DIN 44122 series(MMK)
			Package Kind:	Bulk
			Package Type:	Tray
			Package Quantity:	153