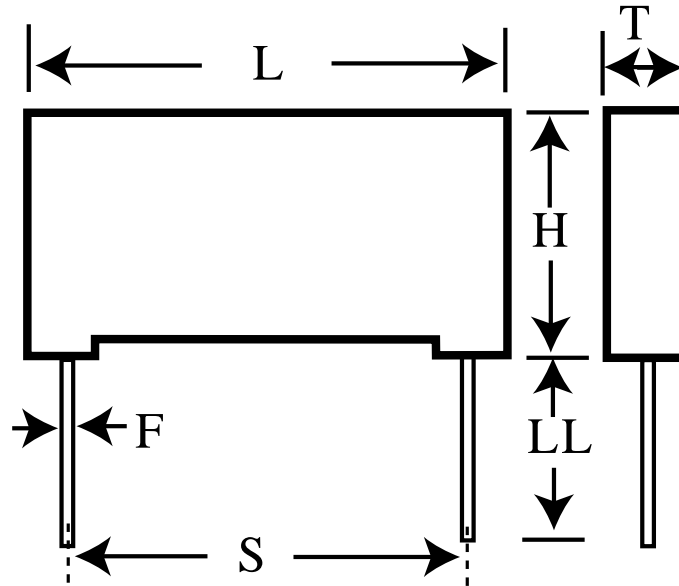


MMK27.5225K250F11L4TRAY

aka F601FE225K250C MMK27,5225K250F11L4TRAY

Capacitor, film, 2.2 uF, +/-10% Tol, -55/+100C, General Purpose, 250V@85C, Lead Spacing=27.5 mm



Dimensions (mm)

Specifications

ID	Dimension	Tolerance	Manufacturer:	KEMET
L	31.5	max	Brand:	Evox
H	20.5	max	Capacitance:	2.2 uF
T	10.5	max	Temperature Range:	-55/+100C
S	27.5	+/-0.4	Rated Temperature:	85C
LL	5	nom	Voltage @ rated temp:	250V
F	0.8	nom	Voltage AC:	160VAC
			Tolerance:	+/-10%
			Body Type:	Radial Box
			Construction:	Wound
			Application:	General Purpose
			Dissipation Factor @ 1 kHz:	1%
			Insulation Resistance:	4.55 GOhm
			Inductance:	6 nH
			Maximum dVdT:	5v/us
			Miscellaneous Electrical:	CECC 30401-042, IEC 60384-2, DIN 44122 series(MMK)
			Package Kind:	Bulk
			Package Type:	Tray
			Package Quantity:	216