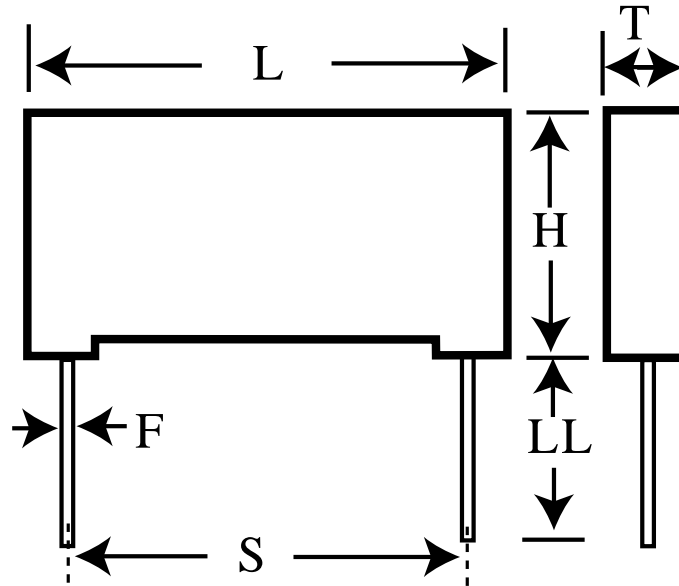


# MMK27.5155K400F11L4TRAY

aka F601FE155K400C MMK27,5155K400F11L4TRAY

Capacitor, film, 1.5 uF, +/-10% Tol, -55/+100C, General Purpose, 400V@85C, Lead Spacing=27.5 mm



## Dimensions (mm)

ID	Dimension	Tolerance
L	31.5	max
H	20.5	max
T	10.5	max
S	27.5	+/-0.4
LL	5	nom
F	0.8	nom

## Specifications

<b>Manufacturer:</b>	KEMET
<b>Brand:</b>	Evox
<b>Capacitance:</b>	1.5 uF
<b>Temperature Range:</b>	-55/+100C
<b>Rated Temperature:</b>	85C
<b>Voltage @ rated temp:</b>	400V
<b>Voltage AC:</b>	200VAC
<b>Tolerance:</b>	+/-10%
<b>Body Type:</b>	Radial Box
<b>Construction:</b>	Wound
<b>Application:</b>	General Purpose
<b>Dissipation Factor @ 1 kHz:</b>	1%
<b>Insulation Resistance:</b>	6.67 GOhm
<b>Inductance:</b>	6 nH
<b>Maximum dVdT:</b>	8v/us
<b>Miscellaneous Electrical:</b>	CECC 30401-042, IEC 60384-2, DIN 44122 series(MMK)
<b>Package Kind:</b>	Bulk
<b>Package Type:</b>	Tray
<b>Package Quantity:</b>	216