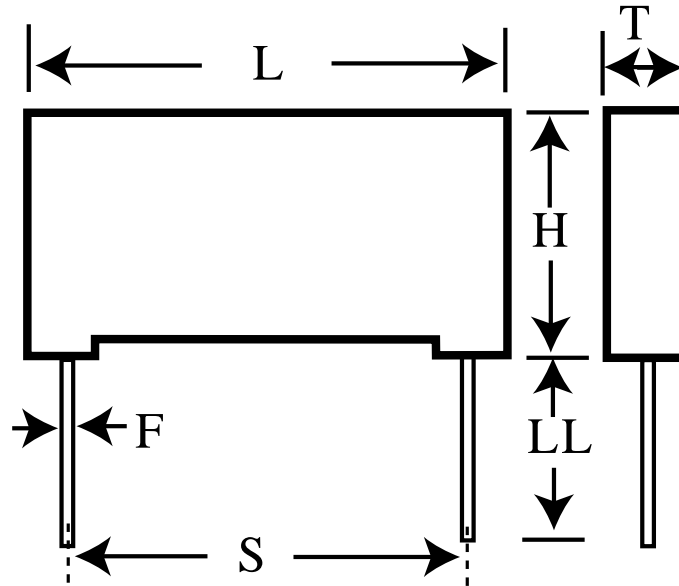


MMK22.5474K1000D20L4TRAY

aka F601DW474K1K0C MMK22,5474K1000D20L4TRAY

Capacitor, film, 0.47 uF, +/-10% Tol, -55/+100C, General Purpose, 1000V@85C, Lead Spacing=22.5 mm



Dimensions (mm)

Specifications

ID	Dimension	Tolerance
L	26	max
H	23	max
T	13.5	max
S	22.5	+/-0.4
LL	5	nom
F	0.8	nom

Manufacturer:	KEMET
Brand:	Evox
Capacitance:	0.47 uF
Temperature Range:	-55/+100C
Rated Temperature:	85C
Voltage @ rated temp:	1000V
Voltage AC:	250VAC
Tolerance:	+/-10%
Body Type:	Radial Box
Construction:	Wound
Application:	General Purpose
Dissipation Factor @ 1 kHz:	0.8%
Dissipation Factor @ 10 kHz:	1.5%
Insulation Resistance:	21.28 GOhm
Inductance:	6 nH
Maximum dVdT:	15v/us
Miscellaneous Electrical:	CECC 30401-042, IEC 60384-2, DIN 44122 series(MMK)
Package Kind:	Bulk
Package Type:	Tray
Package Quantity:	209