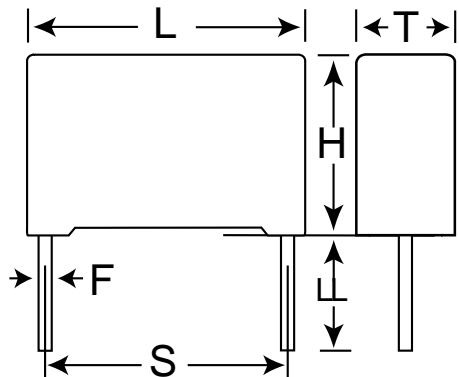


KEMET Part Number: MMK22.5225K100D13L4TRAY
 (F601DD225K100C, MMK22,5225K100D13L4TRAY)

Capacitor, film, 2.2 uF, +/-10% Tol, -55/+100C, General Purpose, 100V@85C, Lead Spacing=22.5 mm



Dimensions (mm)		
Symbol	Dimension	Tolerance
L	26	max
H	14.5	max
T	6.5	max
S	22.5	+/-0.4
LL	5	nom
F	0.8	nom

Packaging Specifications	
Package Kind:	Bulk
Package Type:	Tray
Package Quantity:	234

General Information	
Manufacturer:	KEMET
Brand:	Evox
Miscellaneous Electrical:	Note: Not for New Design 06.18.2012

Electrical Specifications	
Capacitance:	2.2 uF
Rated Temperature:	85C
Voltage @ rated temp:	100V
Voltage AC:	63VAC
Tolerance:	+/-10%
Body Type:	Radial Box
Construction:	Wound
Application:	General Purpose
Temperature Range:	-55/+100C
Dissipation Factor @ 1 kHz:	1%
Insulation Resistance:	2.27 GOhm
Inductance:	6 nH
Maximum dVdT:	5v/us