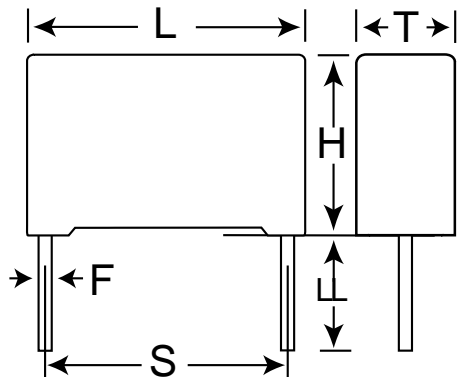


KEMET Part Number: MMK15225J100B06L4BULK
(F601BL225J100C)

Capacitor, film, 2.2 uF, +/-5% Tol, -55/+100C, General Purpose, 100V@85C, Lead Spacing=15 mm



| Dimensions (mm) | | |
|-----------------|-----------|-----------|
| Symbol | Dimension | Tolerance |
| L | 18 | max |
| H | 14.5 | max |
| T | 7.5 | max |
| S | 15 | +/-0.4 |
| LL | 5 | nom |
| F | 0.8 | nom |

| Packaging Specifications | |
|--------------------------|------|
| Package Kind: | Bulk |
| Package Quantity: | 800 |

| General Information | |
|---------------------------|--|
| Manufacturer: | KEMET |
| Brand: | Evox |
| Miscellaneous Electrical: | Not for new design. Use F611BG225J100C (series F611) |

| Electrical Specifications | |
|-----------------------------|-----------------|
| Capacitance: | 2.2 uF |
| Rated Temperature: | 85C |
| Voltage @ rated temp: | 100V |
| Voltage AC: | 63VAC |
| Tolerance: | +/-5% |
| Body Type: | Radial Box |
| Construction: | Wound |
| Application: | General Purpose |
| Temperature Range: | -55/+100C |
| Dissipation Factor @ 1 kHz: | 1% |
| Insulation Resistance: | 2.27 GOhm |
| Inductance: | 6 nH |
| Maximum dVdT: | 8v/us |