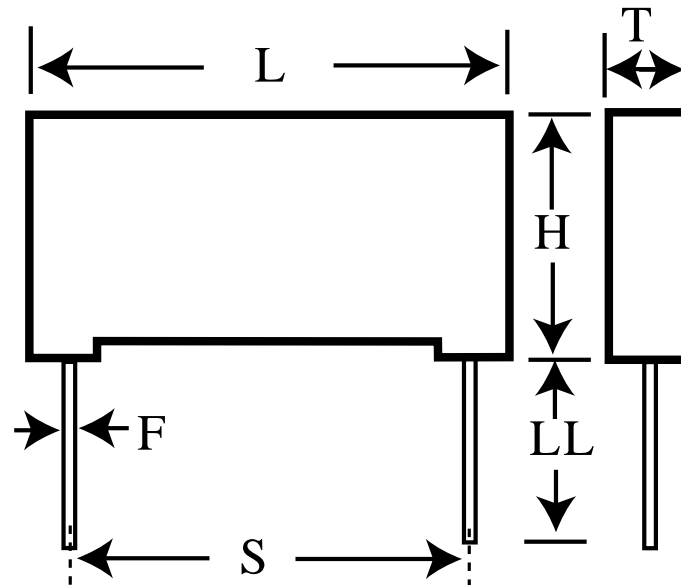


MMK10472K400A01L16.5TR18

aka F601AG472K400L MMK10472K400A01L16,5TR18

Capacitor, film, 4700 pF, +/-10% Tol, -55/+100C, General Purpose, 400V@85C, Lead Spacing=10 mm



Dimensions (mm)

Specifications

ID	Dimension	Tolerance	Manufacturer:	KEMET
L	13	max	Brand:	Evox
H	9	max	Capacitance:	4700 pF
T	4	max	Temperature Range:	-55/+100C
S	10	+/-0.4	Rated Temperature:	85C
LL	16.5	nom	Voltage @ rated temp:	400V
F	0.6	nom	Voltage AC:	200VAC
			Tolerance:	+/-10%
			Body Type:	Radial Box
			Construction:	Wound
			Application:	General Purpose
			Dissipation Factor @ 1 kHz:	0.8%
			Dissipation Factor @ 10 kHz:	1.5%
			Dissipation Factor @ 100kHz:	3%
			Insulation Resistance:	30 GOhm
			Inductance:	6 nH
			Maximum dVdT:	30v/us
			Miscellaneous Electrical:	CECC 30401-042, IEC 60384-2, DIN 44122 series(MMK)
			Package Kind:	T&R
			Package Size:	360mm
			Package Quantity:	900