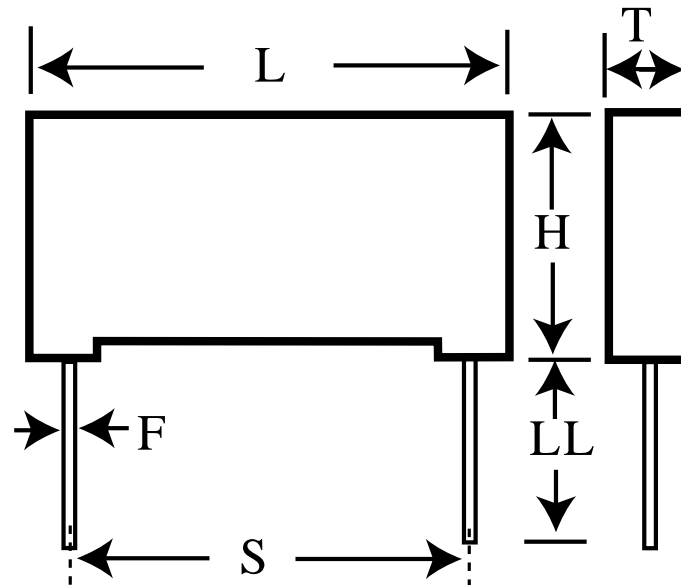


MMK10332K400A01L16.5TR18

aka F601AG332K400L MMK10332K400A01L16,5TR18

Capacitor, film, 3300 pF, +/-10% Tol, -55/+100C, General Purpose, 400V@85C, Lead Spacing=10 mm



Dimensions (mm)

Specifications

ID	Dimension	Tolerance
L	13	max
H	9	max
T	4	max
S	10	+/-0.4
LL	16.5	nom
F	0.6	nom

Manufacturer:	KEMET
Brand:	Evox
Capacitance:	3300 pF
Temperature Range:	-55/+100C
Rated Temperature:	85C
Voltage @ rated temp:	400V
Voltage AC:	200VAC
Tolerance:	+/-10%
Body Type:	Radial Box
Construction:	Wound
Application:	General Purpose
Dissipation Factor @ 1 kHz:	0.8%
Dissipation Factor @ 10 kHz:	1.5%
Dissipation Factor @ 100kHz:	3%
Insulation Resistance:	30 GOhm
Inductance:	6 nH
Maximum dVdT:	30v/us
Miscellaneous Electrical:	CECC 30401-042, IEC 60384-2, DIN 44122 series(MMK)
Package Kind:	T&R
Package Size:	360mm
Package Quantity:	900