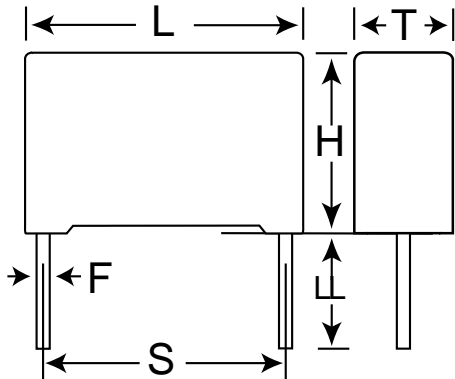


**KEMET Part Number: MMK10104M100A01L16.5TR18**  
 (F601AG104M100L, MMK10104M100A01L16,5TR18)

Capacitor, film, 0.1 uF, +/-20% Tol, -55/+100C, General Purpose, 100V@85C, Lead Spacing=10 mm



Dimensions (mm)		
Symbol	Dimension	Tolerance
L	13	max
H	9	max
T	4	max
S	10	+/-0.4
LL	16.5	nom
F	0.6	nom

Packaging Specifications	
Package Kind:	T&R
Package Size:	360mm
Package Quantity:	900

General Information	
Manufacturer:	KEMET
Brand:	Evox
Miscellaneous Electrical:	Note: Not for New Design 06.18.2012

Electrical Specifications	
Capacitance:	0.1 uF
Rated Temperature:	85C
Voltage @ rated temp:	100V
Voltage AC:	63VAC
Tolerance:	+/-20%
Body Type:	Radial Box
Construction:	Wound
Application:	General Purpose
Temperature Range:	-55/+100C
Dissipation Factor @ 1 kHz:	0.8%
Dissipation Factor @ 10 kHz:	1.5%
Dissipation Factor @ 100kHz:	3%
Insulation Resistance:	15 GOhm
Inductance:	6 nH
Maximum dVdT:	12v/us