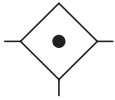
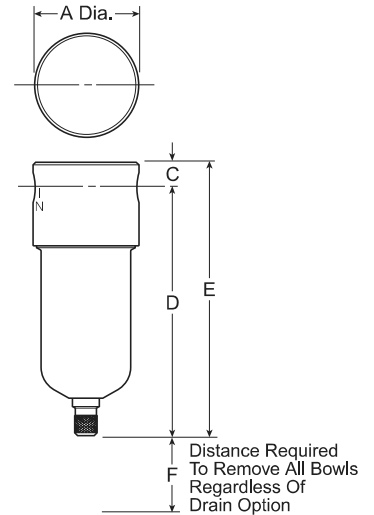


**F504 Filters – Miniature**



**Features**

- Excellent Water Removal Efficiency
- Unique Deflector Plate that Creates Swirling of the Air Stream Ensuring Maximum Water and Dirt Separation
- Easily Disassembled for Servicing Without the Use of Tools
- Interchangeable Twist and Automatic Pulse Drains
- High Flow: 22 SCFM<sup>5</sup>



**D**

Port Size	NPT	
	Twist Drain	Automatic Pulse Drain
Polycarbonate Bowl <sup>†</sup>		
1/8"	<b>F504-01AH</b>	<b>F504-01AHS</b>
1/4"	<b>F504-02AH</b>	<b>F504-02AHS</b>
Metal Bowl without Sight Gauge		
1/8"	<b>F504-01DH</b>	<b>F504-01DHS</b>
1/4"	<b>F504-02DH</b>	<b>F504-02DHS</b>

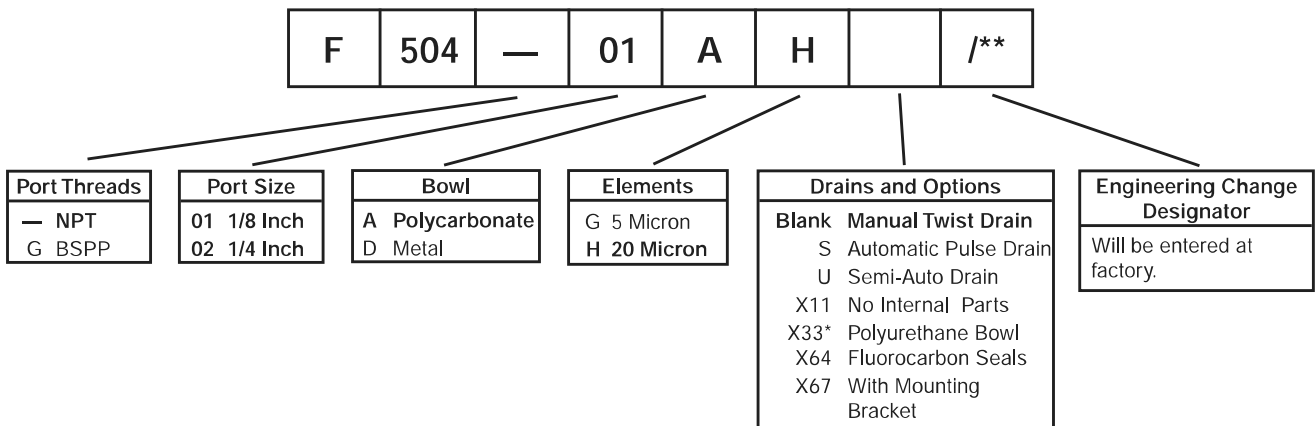
F504 Filter Dimensions		
<b>A</b> 1.56 (39.7)	<b>C</b> 0.38 (9.5)	<b>D</b> 3.78 (96)
<b>D<sup>†</sup></b> 3.62 (92)	<b>E</b> 4.16 (105.6)	<b>E<sup>†</sup></b> 4.00 (101.6)
<b>F</b> .75 (77)	<b>F<sup>†</sup></b> .75 (77)	

**Bold Items are Most Popular.**  
 For other models refer to ordering information below.

<sup>†</sup> For polycarbonate bowl see Caution on page C2.  
<sup>5</sup> SCFM = Standard cubic feet per minute at 90 PSIG inlet and 5 PSIG pressure drop.

Inches (mm)  
<sup>†</sup> With Metal Bowl

**Ordering Information**

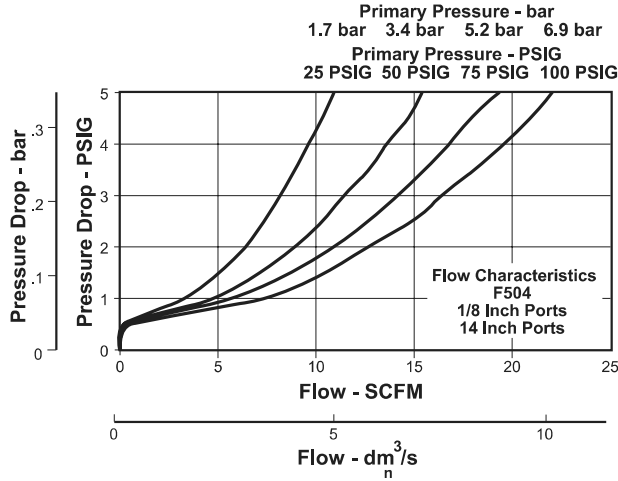


**BOLD ITEMS ARE MOST POPULAR.**

\* Add .65" to overall length.



Technical Information



F504 Filter Kits & Accessories

Bowl Kits –

- Metal (D)..... BK505Y
- Metal (D) with Automatic Pulse Drain.....BK505SY
- Polycarbonate (A)..... BK504Y
- Polycarbonate (A) with Automatic Pulse Drain.....BK504SY

Drain Kits –

- Automatic Pulse Drain ..... RK504SY
- Manual Twist Drain ..... SA600Y7-1
- Semi-Automatic "Overnight" Drain ..... SA602A7  
(Drains automatically under zero pressure)

Filter Element Kits –

- 5 Micron (All) .....EK504VY
- 20 Micron (All) ..... EK504Y

Mounting Bracket Kit .....Must be Ordered with Filter

Specifications

- Bowl Capacity ..... 1 Ounce
- Port Threads ..... 1/8, 1/4 Inch
- Pressure & Temperature Ratings –
  - Polycarbonate Bowl..... 0 to 150 PSIG (0 to 10.2 bar)  
40°F to 125°F (4.4°C to 52°C)
  - Metal Bowl..... 0 to 300 PSIG (0 to 20.4 bar)  
40°F to 180°F (4.4°C to 82.2°C)
  - With Automatic Pulse Drain.....175 PSIG Max. Press. (11.9 bar)
- Weight
  - Polycarbonate Bowl..... 0.3 lb. (0.14 kg) / Unit  
7 lb. (3.18 kg) / 24-Unit Master Pack
  - Metal Bowl..... 0.5 lb. (0.23 kg) / Unit  
12 lb. (5.44 kg) / 24-Unit Master Pack

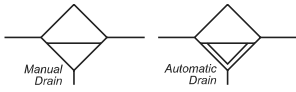
Materials of Construction

- Body ..... Aluminum
- Bowls ..... Polycarbonate  
..... Metal (Zinc)
- Drains ..... Brass
- Filter Elements..... Polypropylene
- Seals ..... Nitrile

( ) = BOWL TYPE

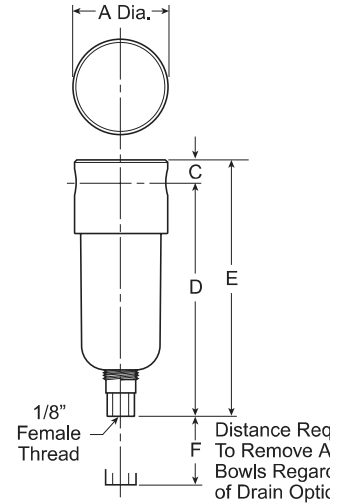


**F504 Filter – Miniature**



**Features**

- Stainless Steel Construction Handles Most Corrosive Environments
- Fluorocarbon Seals Standard
- Meets NACE Specifications MR-01-75/ISO 15156
- 1/8" Female Threaded Drain
- High Flow: 1/4" - 23 SCFM<sup>§</sup>



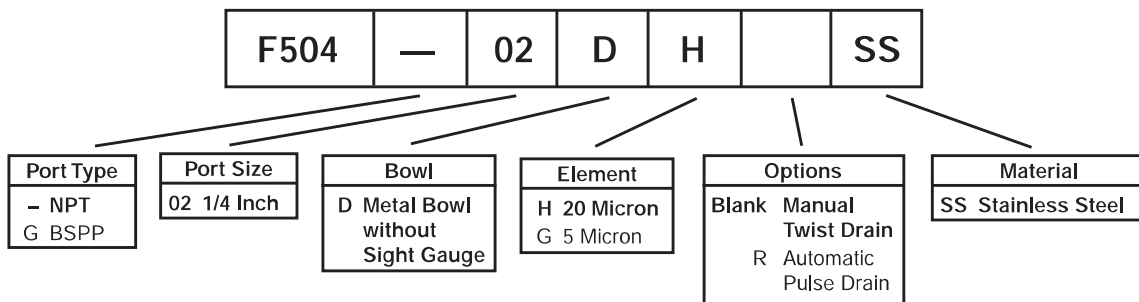
Port Size	NPT	BSPB
	Manual Twist Drain	Manual Twist Drain
1/4"	<b>F504-02DHSS</b>	F504G02DHSS

F504 Filter Dimensions		
<b>A</b>	<b>C</b>	<b>D</b>
1.56 (40)	0.31 (8)	3.69 (94)
<b>E</b>	<b>F</b>	
4.00 (102)	1.58 (40)	

Bold Items are Most Popular.  
 For other models refer to ordering information below.  
<sup>§</sup> SCFM = Standard cubic feet per minute at 90 PSIG inlet and 5 PSIG pressure drop.

inches  
(mm)

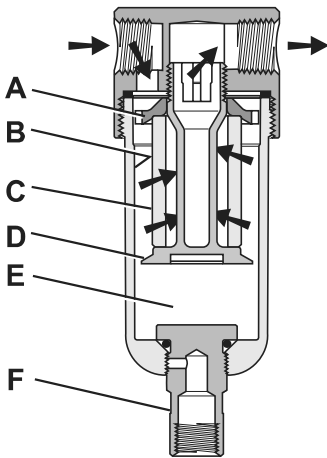
**Ordering Information**



**BOLD ITEMS ARE MOST POPULAR.**



**Operation**



**First Stage Filtration:**

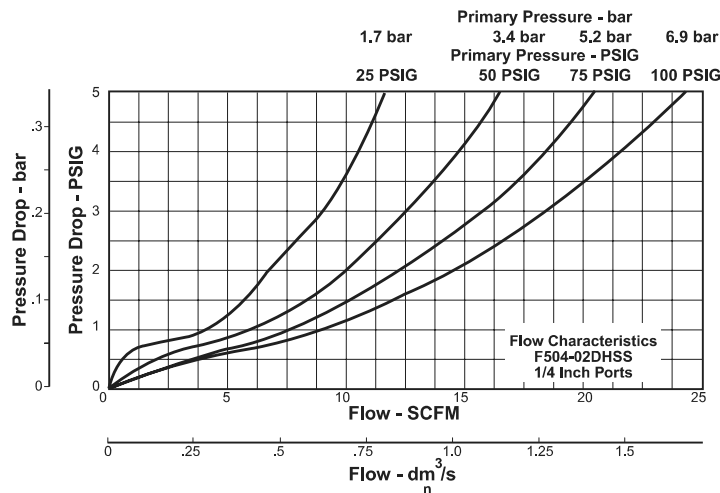
Air enters at inlet port and flows through deflector plate (A) which causes a swirling action. Liquids and coarse particles are forced to the bowl interior wall (B) by the centrifugal action of the swirling air. They are then carried down the bowl wall by the force of gravity. The baffle (D) separates the lower portion of the bowl into a "quiet zone" (E) where the removed liquid and particles collect, unaffected by the swirling air, and are therefore not reentrained into the flowing air.

**Second Stage Filtration:**

After liquids and large particles are removed in the first stages of filtration, the air flows through element (C) where smaller particles are filtered out. The filtered air then passes downstream. Collected liquids and particles in the "quiet zone" (E) should be drained before their level reaches a height where they would be reentrained in the flowing air. This can be accomplished by unscrewing the drain valve (F) slightly until the liquid begins to drain.



**Technical Information**



**F504 Filter Kits & Accessories**

- Drain Kits –**  
 Automatic Pulse Drain ..... RK504SY-SS  
 Manual Twist Drain–  
     Small (Old) ..... SA600Y7-1SS  
     Large (New) ..... SAP05481
- Filter Element Kits –**  
 Particulate (5 Micron) ..... EK504VY  
 Particulate (20 Micron) ..... EK504Y
- Pipe Nipple –**  
 1/4" 316 Stainless Steel ..... 616Y28-SS

**Specifications**

- Bowl Capacity ..... 1.0 Ounces  
 Filter Rating ..... 20 Micron  
 Sump Capacity ..... 0.4 Ounce  
 Port Threads ..... 1/4 Inch

**Pressure & Temperature Ratings –**

- Manual Twist Drain ..... 0 to 300 PSIG (0 to 20.7 bar)  
 0°F to 180°F (-18°C to 82°C)  
 Auto Pulse Drain ..... 10 to 175 PSIG (0 to 12 bar)  
 32°F to 150°F (0°C to 66°C)

**Note: Air must be dry enough to avoid ice formation at temperatures below 32°F (0°C).**

**Weight** ..... 0.6 lb. (0.27 kg)

**Materials of Construction**

- Body** ..... 316 Stainless Steel  
**Bowls** ..... 316 Stainless Steel  
**Deflector** ..... Acetal  
**Drain** ..... 316 Stainless Steel  
**Element Holder** ..... Acetal  
**Filter Element** ..... Polyethylene  
**Seals** ..... Fluorocarbon

