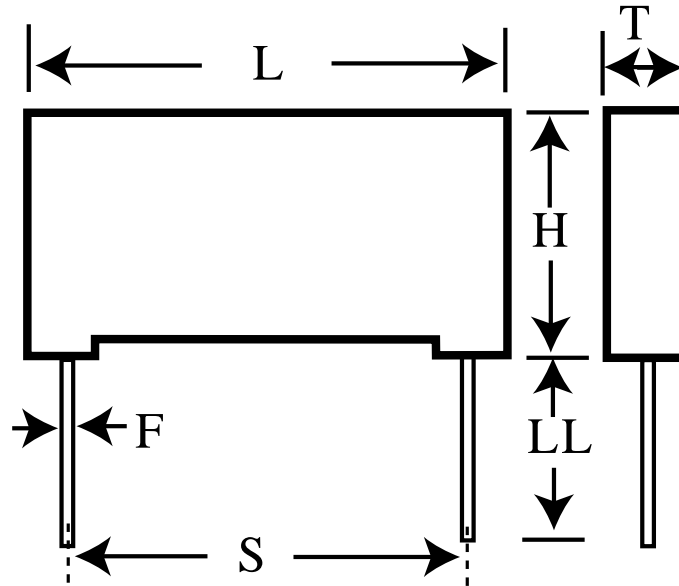


PHE450HK3680JR17T0

aka F450KG681J250L

Capacitor, film, 680 pF, +/-5% Tol, -55/+105C, General Purpose, 250V@85C, Lead Spacing=7.5 mm



Dimensions (mm)

ID	Dimension	Tolerance
L	10	max
H	8	max
T	4	max
S	7.5	+/-0.4
LL	17	nom
F	0.6	nom

Specifications

Manufacturer:	KEMET
Brand:	Rifa
Capacitance:	680 pF
Temperature Range:	-55/+105C
Rated Temperature:	85C
Voltage @ rated temp:	250V
Voltage AC:	180VAC
Tolerance:	+/-5%
Body Type:	Radial Box
Construction:	Double Metallized
Application:	General Purpose
Sub Application:	Pulse
Dissipation Factor @ 1 kHz:	0.03%
Dissipation Factor @ 10 kHz:	0.04%
Dissipation Factor @ 100kHz:	0.15%
Insulation Resistance:	100 GOhm
Inductance:	6 nH
Maximum dVdT:	2000v/us
Miscellaneous Electrical:	IEC 60384-17, Gr. 1.1; Rthha [85C/2.m/s] = 160 C/W series(PHE450)
Package Kind:	T&R
Package Quantity:	1700