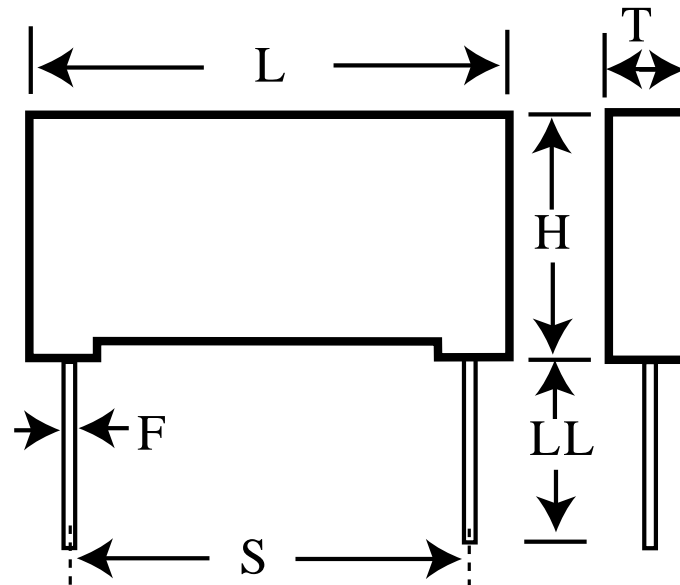


PHE450TD4680JR06L2

aka F450DD682J2K5C

Capacitor, film, 6800 pF, +/-5% Tol, -55/+105C, General Purpose, 2500V@85C, Lead Spacing=22.5 mm



Dimensions (mm)

Specifications

| ID | Dimension | Tolerance | Manufacturer: | KEMET |
|----|-----------|-----------|------------------------------|---|
| L | 26 | max | Brand: | Rifa |
| H | 14.5 | max | Capacitance: | 6800 pF |
| T | 6.5 | max | Temperature Range: | -55/+105C |
| S | 22.5 | +/-0.4 | Rated Temperature: | 85C |
| LL | 6 | nom | Voltage @ rated temp: | 2500V |
| F | 0.8 | nom | Voltage AC: | 900VAC |
| | | | Tolerance: | +/-5% |
| | | | Body Type: | Radial Box |
| | | | Construction: | Double Metallized |
| | | | Application: | General Purpose |
| | | | Sub Application: | Pulse |
| | | | Dissipation Factor @ 1 kHz: | 0.03% |
| | | | Dissipation Factor @ 10 kHz: | 0.04% |
| | | | Dissipation Factor @ 100kHz: | 0.15% |
| | | | Insulation Resistance: | 100 GOhm |
| | | | Inductance: | 6 nH |
| | | | Maximum dVdT: | 1800v/us |
| | | | Miscellaneous Electrical: | IEC 60384-17, Gr. 1.1; Rthha [85C/2.m/s] = 60 C/W series(PHE450) |
| | | | Package Kind: | Bulk |
| | | | Package Type: | Tray |
| | | | Package Quantity: | 234 |