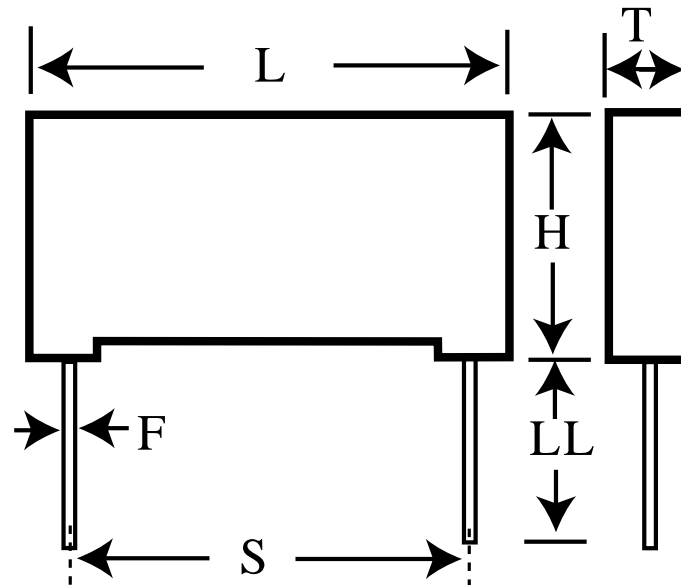


PFR5101J630J11L4BULK

aka F411JH101J630C

Capacitor, film, 100 pF, +/-5% Tol, -55/+100C, General Purpose, 630V@85C, Lead Spacing=5 mm



Dimensions (mm)

Specifications

ID	Dimension	Tolerance	Manufacturer:	KEMET
L	7.2	max	Brand:	Evox
H	6	max	Capacitance:	100 pF
T	4.5	max	Temperature Range:	-55/+100C
S	5	+/-0.4	Rated Temperature:	85C
LL	5	nom	Voltage @ rated temp:	630V
F	0.5	nom	Voltage AC:	250VAC
			Tolerance:	+/-5%
			Body Type:	Radial Box
			Construction:	Wound
			Application:	General Purpose
			Sub Application:	Pulse
			Dissipation Factor @ 1 kHz:	0.04%
			Insulation Resistance:	500 GOhm
			Inductance:	6 nH
			Maximum dVdT:	1000v/us
			Miscellaneous Electrical:	PFR
			Package Kind:	Bulk
			Package Quantity:	1000