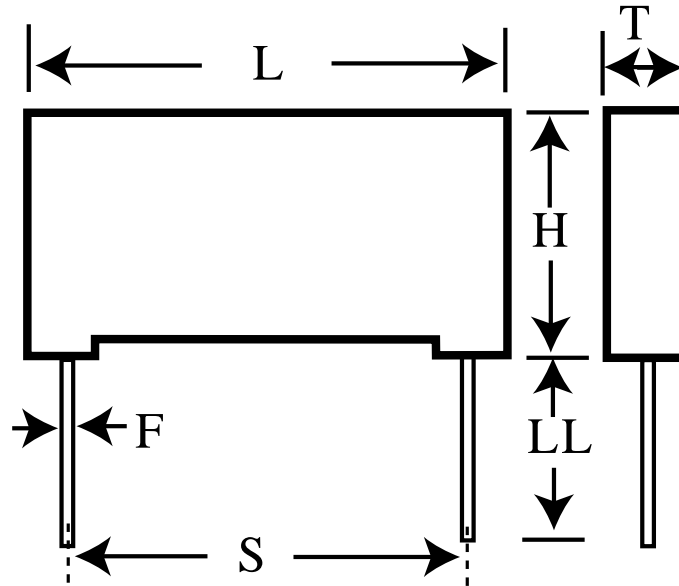


PFR5101J400J11L4BULK

aka F411JH101J400C

Capacitor, film, 100 pF, +/-5% Tol, -55/+100C, General Purpose, 400V@85C, Lead Spacing=5 mm



Dimensions (mm)

ID	Dimension	Tolerance
L	7.2	max
H	6	max
T	4.5	max
S	5	+/-0.4
LL	5	nom
F	0.5	nom

Specifications

Manufacturer:	KEMET
Brand:	Evox
Capacitance:	100 pF
Temperature Range:	-55/+100C
Rated Temperature:	85C
Voltage @ rated temp:	400V
Voltage AC:	220VAC
Tolerance:	+/-5%
Body Type:	Radial Box
Construction:	Wound
Application:	General Purpose
Sub Application:	Pulse
Dissipation Factor @ 1 kHz:	0.04%
Insulation Resistance:	500 GOhm
Inductance:	6 nH
Maximum dVdT:	1000v/us
Miscellaneous Electrical:	PFR
Package Kind:	Bulk
Package Quantity:	1000