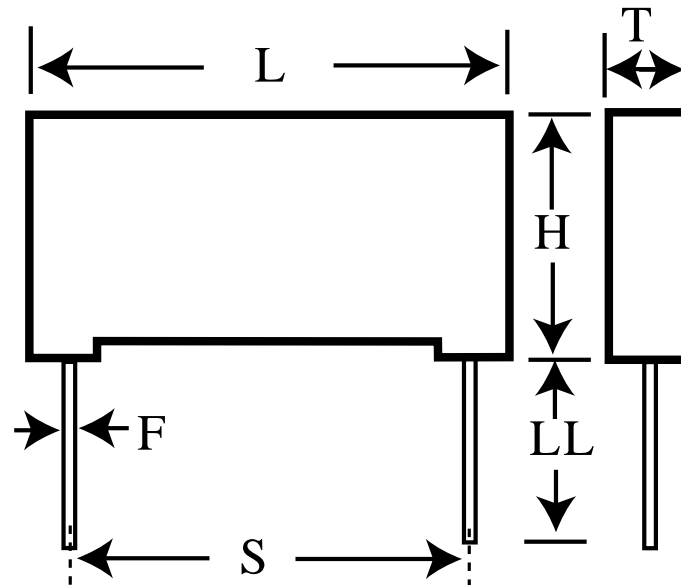


SMR7.5474K100K04L4BULK

aka F211KM474K100C SMR7,5474K100K04L4BULK

Capacitor, film, 0.47 uF, +/-10% Tol, -55/+150C, General Purpose, 100V@125C, Lead Spacing=7.5 mm



Dimensions (mm)

Specifications

ID	Dimension	Tolerance	Manufacturer:	KEMET
L	10.5	max	Brand:	Evox
H	12	max	Capacitance:	0.47 uF
T	6	max	Temperature Range:	-55/+150C
S	7.5	+/-0.4	Rated Temperature:	125C
LL	5	nom	Voltage @ rated temp:	100V
F	0.6	nom	Voltage AC:	63VAC
			Tolerance:	+/-10%
			Body Type:	Radial Box
			Construction:	Wound
			Application:	General Purpose
			Dissipation Factor @ 1 kHz:	0.15%
			Dissipation Factor @ 10 kHz:	0.25%
			Insulation Resistance:	10.64 GOhm
			Maximum dVdT:	15v/us
			Miscellaneous Electrical:	SMR
			Package Kind:	Bulk
			Package Quantity:	1000