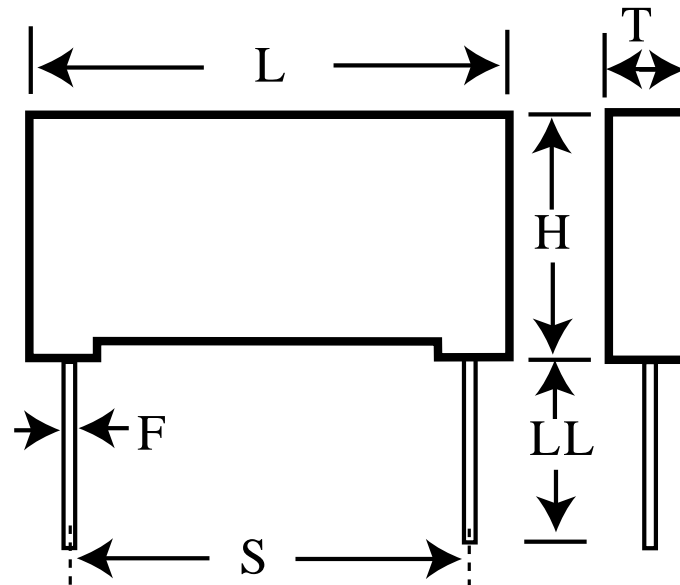


SMR5684K50J05L4BULK

aka F211JT684K050C

Capacitor, film, 0.68 uF, +/-10% Tol, -55/+150C, General Purpose, 50V@125C, Lead Spacing=5 mm



Dimensions (mm)

Specifications

ID	Dimension	Tolerance	Manufacturer:	KEMET
L	7.2	max	Brand:	Evox
H	11	max	Capacitance:	0.68 uF
T	6	max	Temperature Range:	-55/+150C
S	5	+/-0.4	Rated Temperature:	125C
LL	5	nom	Voltage @ rated temp:	50V
F	0.5	nom	Voltage AC:	30VAC
			Tolerance:	+/-10%
			Body Type:	Radial Box
			Construction:	Wound
			Application:	General Purpose
			Dissipation Factor @ 1 kHz:	0.15%
			Dissipation Factor @ 10 kHz:	0.25%
			Dissipation Factor @ 100kHz:	0.6%
			Insulation Resistance:	7.35 GOhm
			Maximum dVdT:	6v/us
			Miscellaneous Electrical:	SMR
			Package Kind:	Bulk
			Package Quantity:	1000