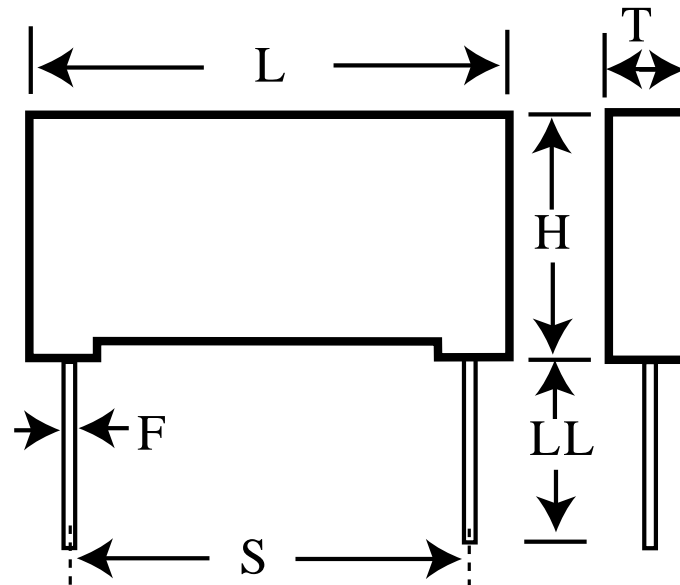


SMR15105K63B05L4BULK

aka F211BE105K063C

Capacitor, film, 1 uF, +/-10% Tol, -55/+150C, General Purpose, 63V@125C, Lead Spacing=15 mm



Dimensions (mm)

Specifications

ID	Dimension	Tolerance	Manufacturer:	KEMET
L	18	max	Brand:	Evox
H	12.5	max	Capacitance:	1 uF
T	5.5	max	Temperature Range:	-55/+150C
S	15	+/-0.4	Rated Temperature:	125C
LL	5	nom	Voltage @ rated temp:	63V
F	0.8	nom	Voltage AC:	40VAC
			Tolerance:	+/-10%
			Body Type:	Radial Box
			Construction:	Wound
			Application:	General Purpose
			Dissipation Factor @ 1 kHz:	0.15%
			Dissipation Factor @ 10 kHz:	0.25%
			Insulation Resistance:	5 GOhm
			Maximum dVdT:	8v/us
			Miscellaneous Electrical:	SMR
			Package Kind:	Bulk
			Package Quantity:	1000