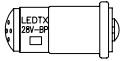
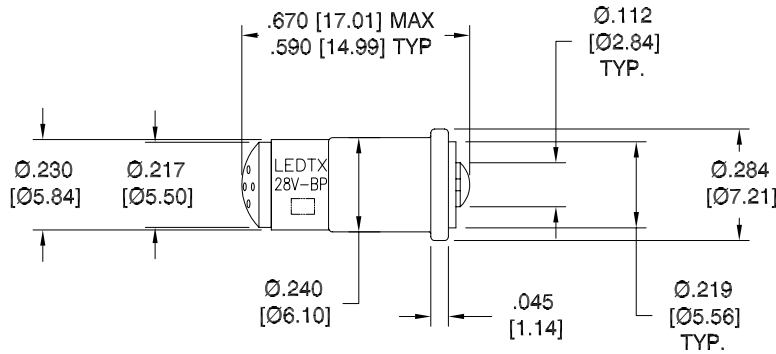


LTR	REVISION	DATE	APPD
A	121614-RTD01: UPDATED DIMENSIONS	12-17-14	GP



ACTUAL SIZE



NOTES:

1. ALL DIMENSIONS ARE IN INCHES [MILLIMETERS].
2. SLEEVE MATERIAL: RYNITE FR530
3. BASE MATERIAL: NICKEL PLATED BRASS
4. OPERATING TEMPERATURE: ~-30°C TO ~+50°C

\*\*FULL BEAM WIDTH AT 50% INTENSITY



ELECTRICAL-OPTICAL CHARACTERISTICS (Ta = 25°C)

REVISION NOTIFICATION	
<input type="checkbox"/>	DLC
<input type="checkbox"/>	UL/ETL
<input type="checkbox"/>	MADE IN USA
<input type="checkbox"/>	CUSTOMER _____
<input type="checkbox"/>	OTHER

F206CG6-0003	F206CG6-28V/20-BP	HI-EFF GREEN	28Vdc	0.37 W	0.012-0.014 A	0.075cd	566	160°
F206CPG6-0001	F206CPG6-28V/20-BP	PURE GREEN	28Vdc	0.37 W	0.012-0.014 A	0.015cd	557	160°
F206CR6-0007	F206CR6-28V/20-BP	HI-EFF RED	28Vdc	0.37 W	0.012-0.014 A	0.045cd	632	160°
F206CR7-0006	F206CR7-28V/15-BP	ULTRA RED	28Vdc	0.37 W	0.012-0.014 A	0.125cd	658	160°
F206CY6-0003	F206CY6-28V/20-BP	YELLOW	28Vdc	0.37 W	0.012-0.014 A	0.030cd	584	160°
LEDTRONICS PART NO.	DESCRIPTION PART NO.	COLOR EMITTED	INPUT VOLTAGE, V	POWER (W)	CURRENT (A)	MAXIMUM CANDELA	λP nm	VIEWING ANGLE**



**-PROPRIETARY-**  
 This document contains Proprietary information of LEDTRONICS, INC. It may not be copied, used or disclosed for any purpose without the prior express written consent of LEDTRONICS, INC.

.XXX ± .010 TOLERANCE PER ANSI-Y14.5  
 .XX ± .025 (UNLESS OTHERWISE STATED)  
 ANGLES ± 0°,30'  
 FRACT. ± 1/32

TITLE					
<b>F206CXXX-00XX (F206CXXX-28V/20-BP)</b>					
DWG NO	SCALE	SHEET	DATE		
F206-28V-BP	2:1	1 OF 1	01-19-11		
CODE IDENT NO.	DWG BY	CHK BY	QA RD	MFG LD	R&D LUV
8Z410	GP 01-19-11		12-23-14	12-23-14	12-24-14