

Discontinued

3 mm Square SMT Trimmer Potentiometers (Cermet, Open Frame Type)

Type: **EVM3G**
EVM3E
EVM3Y
EVM3S
EVM3R



• Planed final order receiving: March.2018
 • Planed final production : March.2019

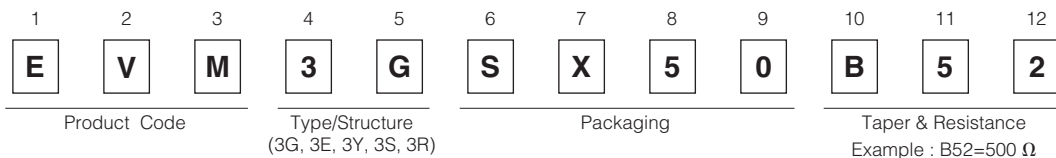
Features

- Automatic adjustment type (EVM3G, 3E, 3Y)
- Both sides adjust type (EVM3S)
- Back side adjust type and low-profile 0.9 mm (1.0 mm max.) EVM3R
- High reliability realized by cermet element
- Excellent mountability
- Conforms to JIS C5260-1:1999
- RoHS compliant

Recommended Applications

- Audio/visual, office, and communication equipment
- General electronic equipment

Explanation of Part Numbers



Specifications

Total Resistance Value Resistance Tolerance	EVM3G, 3E, 3Y, 3S : 100 Ω to 1 MΩ / EVM3R : 500 Ω to 1 MΩ EVM3G : ±20 % / EVM3E, 3Y, 3S, 3R : ±25 %
Power Rating Limiting Element Voltage	0.15 W 50 V
Rotation Torque	EVM3G, 3E, 3Y, 3S : 2 to 20 mN·m / EVM3R : 1 to 20 mN·m
Temperature Coefficient of Resistance	±250 × 10 ⁻⁶ /°C


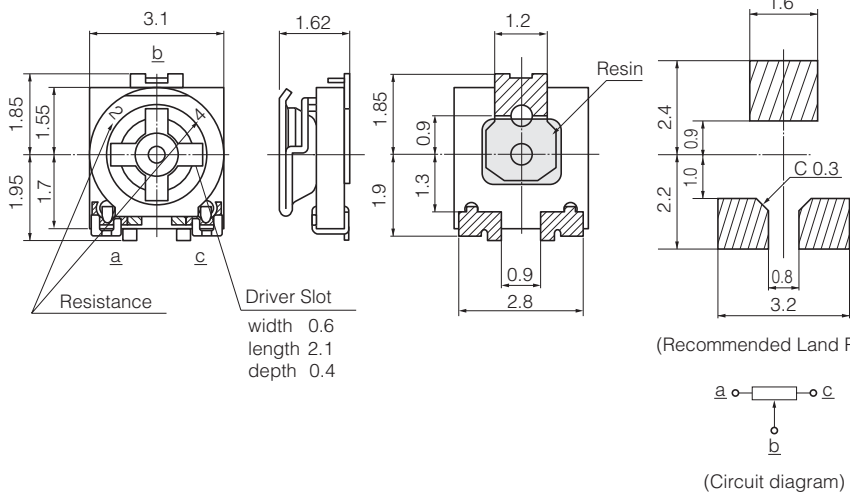
Minimum Quantity/Packing Unit

Part Number	Taping		
	Quantity per reel	Packaging quantity	Dia. of reel (mm)
EVM3G, EVM3E EVM3Y, EVM3S EVM3R	2,000	10,000	φ178


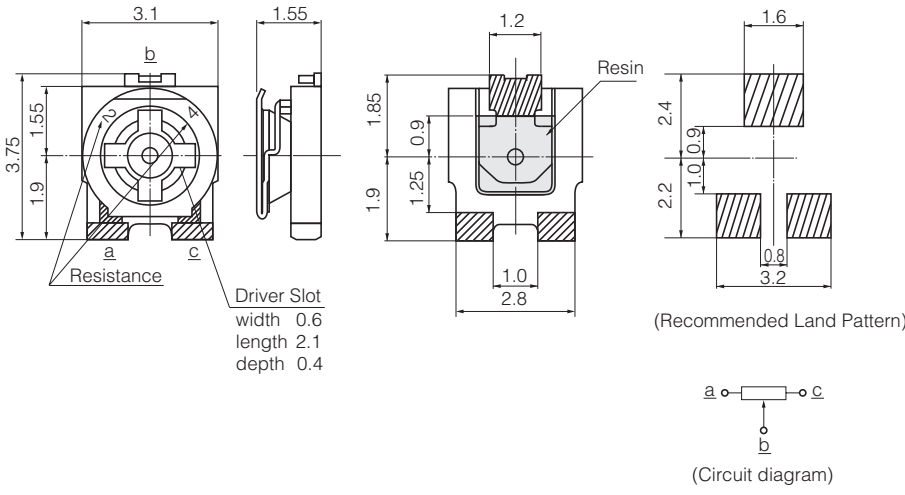
The standard packaging methods for a reel is φ178.
Please contact us, if you would like different packaging methods. (Bulk, Reel of φ330, Reel of φ380)

Dimensions in mm (not to scale)

- 3-terminal, for Automatic Trimming Adjustment EVM3G, EVM3E

<p>No. 1</p> 	 <p>Resistance</p> <p>Driver Slot width 0.6 length 2.1 depth 0.4</p> <p>Resin</p> <p>(Recommended Land Pattern)</p> <p>(Circuit diagram)</p> <p>Mass (Weight) : 45 mg/pc.</p>
---	---


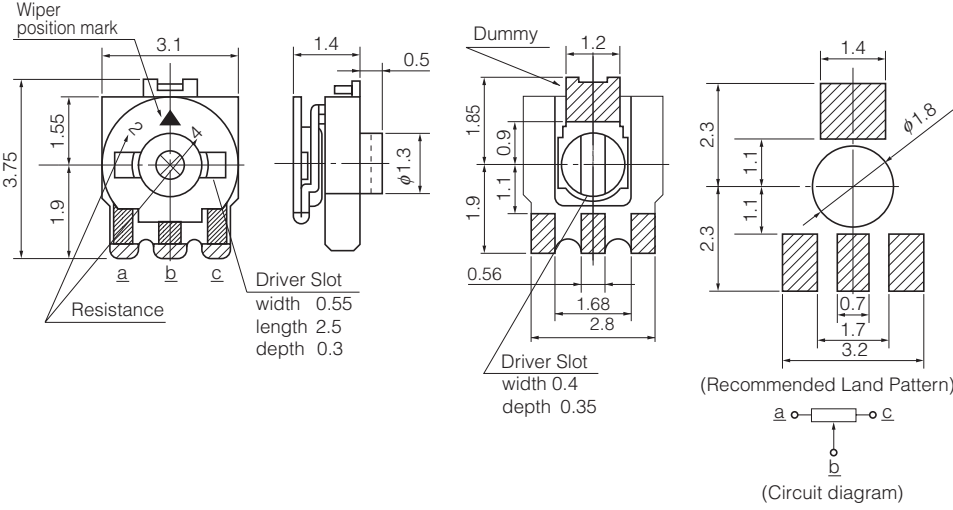
- 3-terminal, for Automatic Trimming Adjustment EVM3Y

<p>No. 2</p> 	 <p>Resistance</p> <p>Driver Slot width 0.6 length 2.1 depth 0.4</p> <p>Resin</p> <p>(Recommended Land Pattern)</p> <p>(Circuit diagram)</p> <p>Mass (Weight) : 42 mg/pc.</p>
---	---

Dimensions in mm (not to scale)

- 3-terminal, Both Sides Adjust EVM3S

No. 3

Wiper position mark

Resistance

Driver Slot
width 0.55
length 2.5
depth 0.3

Dummy

Driver Slot
width 0.4
depth 0.35


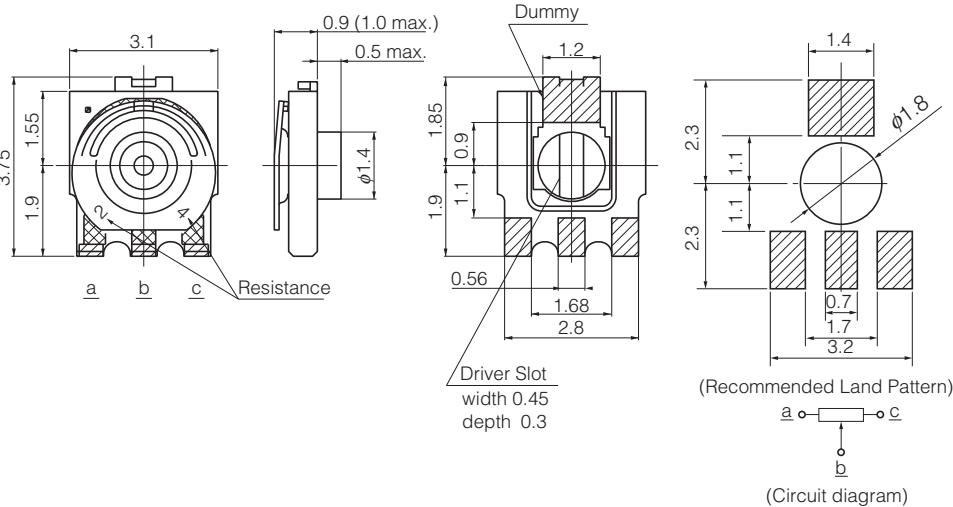
(Recommended Land Pattern)

(Circuit diagram)

Mass (Weight) : 45 mg/pc.

- 3-terminal, Back Side Adjust EVM3R

No. 4

Resistance

Driver Slot
width 0.45
depth 0.3

Dummy

(Recommended Land Pattern)

(Circuit diagram)

Mass (Weight) : 32 mg/pc.