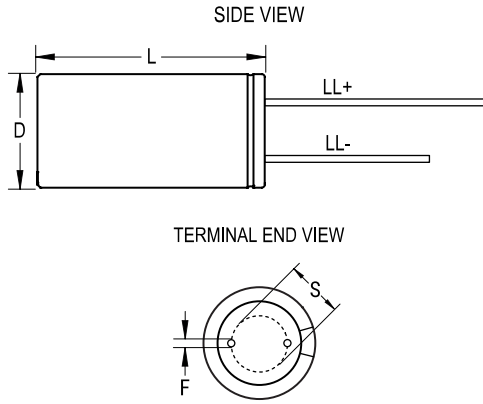


ESZ, Aluminum Electrolytic, 105C, 10 uF, 20%, 450 VDC, -25/+105C, Lead Spacing = 5mm



Dimensions	
D	12.5mm +/-0.5mm
L	20mm +2.0mm
S	5mm +/-0.5mm
LL Negative	15mm MIN
LL Positive	20mm MIN
F	0.6mm NOM

Packaging Specifications	
Packaging:	Bulk, Bag
Packaging Quantity:	2000

General Information	
Supplier:	KEMET
Series:	ESZ
Dielectric:	Aluminum Electrolytic
Description:	Single Ended Aluminum Electrolytic
RoHS:	Yes
Lead:	Wire Leads

Specifications	
Capacitance:	10 uF
Capacitance Tolerance:	20%
Voltage DC:	450 VDC, 500 VDC (Surge)
Temperature Range:	-25/+105C
Rated Temperature:	105C
Life:	10000 Hrs
Dissipation Factor:	24.00%
Ripple Current:	155 mAmps (120Hz 105C), 310 mAmps (100kHz 105C)
Leakage Current:	280 uA (2min 20C)
Impedance Ratio at -25C:	6