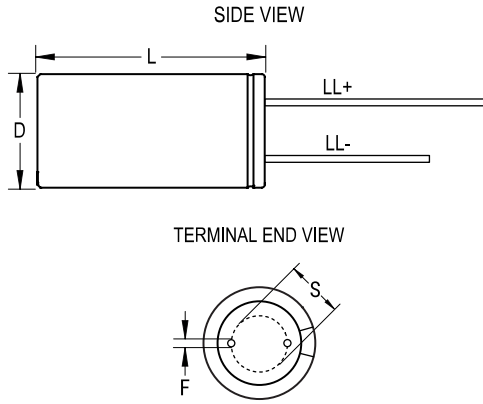


ESY, Aluminum Electrolytic, 105C LowZ, 470 uF, 20%, 25 VDC, -40/+105C, Lead Spacing = 3.5mm



| General Information |                                         |
|---------------------|-----------------------------------------|
| Supplier:           | KEMET                                   |
| Series:             | ESY                                     |
| Dielectric:         | Aluminum Electrolytic                   |
| Description:        | LowZ Single Ended Aluminum Electrolytic |
| Features:           | Low Z                                   |
| RoHS:               | Yes                                     |
| Lead:               | Wire Leads                              |

| Dimensions  |                |
|-------------|----------------|
| D           | 8mm +/-0.5mm   |
| L           | 20mm +2mm      |
| S           | 3.5mm +/-0.5mm |
| LL Negative | 15mm MIN       |
| LL Positive | 20mm MIN       |
| F           | 0.6mm NOM      |

| Specifications           |                          |
|--------------------------|--------------------------|
| Capacitance:             | 470 uF                   |
| Capacitance Tolerance:   | 20%                      |
| Voltage DC:              | 25 VDC, 32 VDC (Surge)   |
| Temperature Range:       | -40/+105C                |
| Rated Temperature:       | 105C                     |
| Life:                    | 3000 Hrs                 |
| Dissipation Factor:      | 14.00%                   |
| Resistance:              | 0.041 Ohms (100kHz)      |
| Ripple Current:          | 1250 mAmps (100kHz 105C) |
| Leakage Current:         | 117.5 uA (2min 20C)      |
| Impedance Ratio at -25C: | 2                        |
| Impedance Ratio at -40C: | 3                        |

| Packaging Specifications |           |
|--------------------------|-----------|
| Packaging:               | Bulk, Bag |
| Packaging Quantity:      | 4000      |