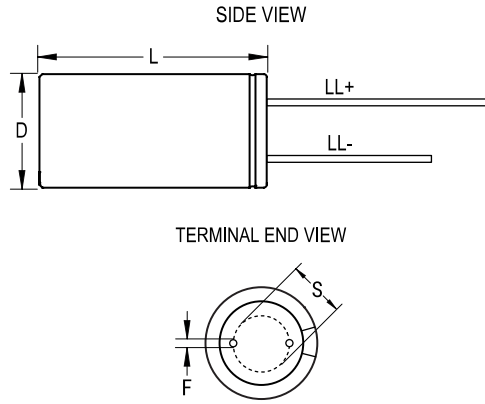


ESY, Aluminum Electrolytic, 105C LowZ, 470 uF, 20%, 10 VDC, -40/+105C, Lead Spacing = 3.5mm



| Dimensions | |
|-------------|----------------|
| D | 8mm +/-0.5mm |
| L | 11mm +1.5mm |
| S | 3.5mm +/-0.5mm |
| LL Negative | 15mm MIN |
| LL Positive | 20mm MIN |
| F | 0.6mm NOM |

| Packaging Specifications | |
|--------------------------|-----------|
| Packaging: | Bulk, Bag |
| Packaging Quantity: | 6000 |

| General Information | |
|---------------------|---|
| Supplier: | KEMET |
| Series: | ESY |
| Dielectric: | Aluminum Electrolytic |
| Description: | LowZ Single Ended Aluminum Electrolytic |
| Features: | Low Z |
| RoHS: | Yes |
| Lead: | Wire Leads |

| Specifications | |
|--------------------------|-------------------------|
| Capacitance: | 470 uF |
| Capacitance Tolerance: | 20% |
| Voltage DC: | 10 VDC, 13 VDC (Surge) |
| Temperature Range: | -40/+105C |
| Rated Temperature: | 105C |
| Life: | 3000 Hrs |
| Dissipation Factor: | 19.00% |
| Resistance: | 0.072 Ohms (100kHz) |
| Ripple Current: | 760 mAmps (100kHz 105C) |
| Leakage Current: | 47 uA (2min 20C) |
| Impedance Ratio at -25C: | 2 |
| Impedance Ratio at -40C: | 3 |

Statements of suitability for certain applications are based on our knowledge of typical operating conditions for such applications, but are not intended to constitute - and we specifically disclaim - any warranty concerning suitability for a specific customer application or use. This Information is intended for use only by customers who have the requisite experience and capability to determine the correct products for their application. Any technical advice inferred from this Information or otherwise provided by us with reference to the use of our products is given gratis, and we assume no obligation or liability for the advice given or results obtained.