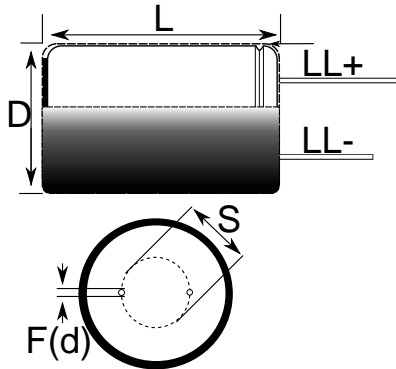


ESY, Aluminum Electrolytic, 105C LowZ, 1000 uF, 20%, 35 V, -40/+105C, Lead Spacing = 5mm



Note: '()' correspond to the letters used in the product bulletin

Dimensions	
D	13mm +/-0.5mm
L	25mm +2mm
S	5mm +/-0.5mm
LL Negative	15mm MIN
LL Positive	20mm MIN
F	0.6mm NOM

Packaging Specifications	
Packaging:	Bulk, Bag
Packaging Quantity:	1600

General Information	
Supplier:	KEMET
Series:	ESY
Dielectric:	Aluminum Electrolytic
Description:	LowZ Single Ended Aluminum Electrolytic
Features:	Low Z
RoHS:	Yes
Lead:	Wire Leads

Specifications	
Capacitance:	1000 uF
Capacitance Tolerance:	20%
Voltage DC:	35 VDC, 44 VDC (Surge)
Temperature Range:	-40/+105C
Rated Temperature:	105C
Life:	5000 Hrs
Dissipation Factor:	12%
Resistance:	0.018 Ohms (100kHz)
Current:	2770 mAmps (100kHz 105C)
Leakage Current:	350 uA (2min 20C)
Impedance Ratio at -25C:	2
Impedance Ratio at -40C:	3