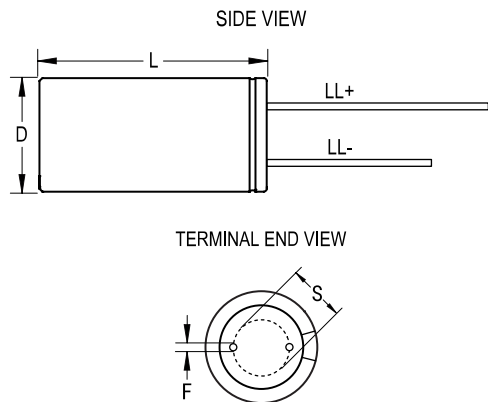


ESU, Aluminum Electrolytic, 105C, 100 uF, 20%, 160 VDC, -25/+105C, Lead Spacing = 5mm



Dimensions	
D	13mm +/-0.5mm
L	25mm +2.0mm
S	5mm +/-0.5mm
LL Negative	15mm MIN
LL Positive	20mm MIN
F	0.6mm NOM

Packaging Specifications	
Packaging:	Bulk, Bag
Packaging Quantity:	1600

General Information	
Supplier:	KEMET
Series:	ESU
Dielectric:	Aluminum Electrolytic
Description:	Single Ended Aluminum Electrolytic
RoHS:	Yes
Lead:	Wire Leads

Specifications	
Capacitance:	100 uF
Capacitance Tolerance:	20%
Voltage DC:	160 VDC
Temperature Range:	-25/+105C
Rated Temperature:	105C
Life:	12000 Hrs
Dissipation Factor:	15.00% 120Hz 20C
Ripple Current:	970 mAmps (100kHz 105C)
Leakage Current:	740 uA (2min 20C)
Impedance Ratio at -25C:	3