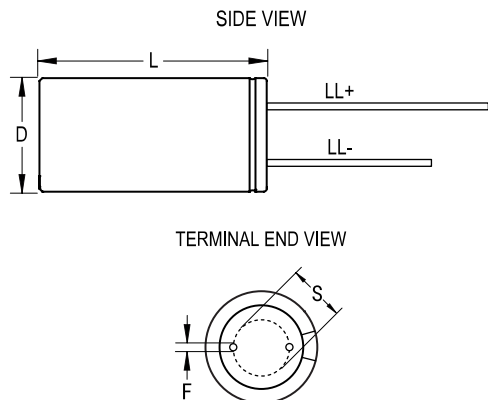


EST, Aluminum Electrolytic, 105C LowZ, 470 uF, 20%, 100 VDC, -40/+105C, Lead Spacing = 7.5mm



Dimensions	
D	18mm +/-0.5mm
L	25mm +2.0mm
S	7.5mm +/-0.5mm
LL Negative	15mm MIN
LL Positive	20mm MIN
F	0.8mm NOM

Packaging Specifications	
Packaging:	Bulk, Bag
Packaging Quantity:	800

General Information	
Supplier:	KEMET
Series:	EST
Dielectric:	Aluminum Electrolytic
Description:	LowZ, Long Life, Single Ended Aluminum Electrolytic
RoHS:	Yes
Lead:	Wire Leads

Specifications	
Capacitance:	470 uF
Capacitance Tolerance:	20%
Voltage DC:	100 VDC, 125 VDC (Surge)
Temperature Range:	-40/+105C
Rated Temperature:	105C
Life:	10000 Hrs
Dissipation Factor:	14.00%
Resistance:	0.5 Ohms (100kHz 25C)
Ripple Current:	840 mAmps (120Hz 105C)
Leakage Current:	470 uA (2min 20C)
Impedance Ratio at -25C:	2
Impedance Ratio at -40C:	3