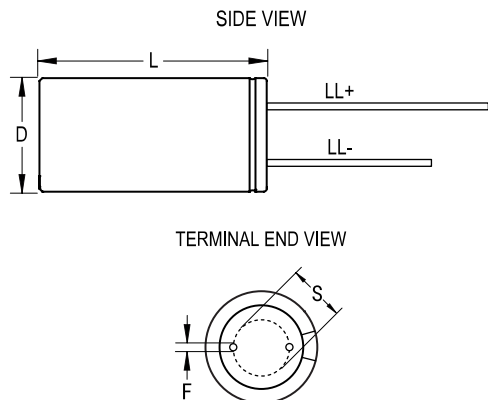


ESL, Aluminum Electrolytic, 105C, 10 uF, 20%, 200 VDC, -40/+105C, Lead Spacing = 3.5mm



Dimensions	
D	8mm +/-0.5mm
L	12mm +2.0mm
S	3.5mm +/-0.5mm
LL Negative	15mm MIN
LL Positive	20mm MIN
F	0.6mm NOM

Packaging Specifications	
Packaging:	Bulk, Bag
Packaging Quantity:	6000

General Information	
Supplier:	KEMET
Series:	ESL
Dielectric:	Aluminum Electrolytic
Description:	Single Ended Aluminum Electrolytic
RoHS:	Yes
Lead:	Wire Leads

Specifications	
Capacitance:	10 uF
Capacitance Tolerance:	20%
Voltage DC:	200 VDC, 250 VDC (Surge)
Temperature Range:	-40/+105C
Rated Temperature:	105C
Life:	10000 Hrs
Dissipation Factor:	15.00%
Resistance:	3.65 Ohms (100kHz 20C)
Ripple Current:	175 mAmps (100kHz 105C)
Leakage Current:	50 uA (2min 20C)
Impedance Ratio at -40C:	6