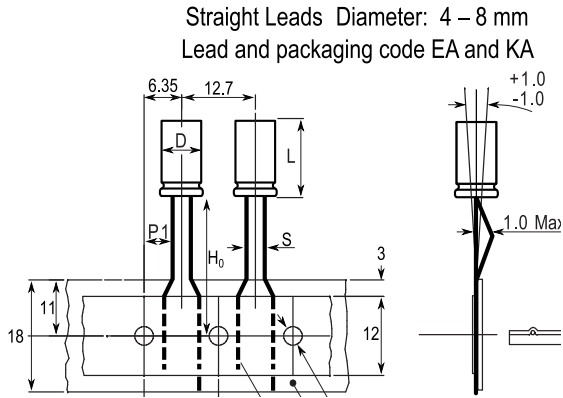


ESK, Aluminum Electrolytic, 85C, 470 uF, 20%, 50 VDC, -40/+85C, Lead Spacing = 5mm



### Dimensions

Dimension	Value
D	10mm +/-0.5mm
L	20mm +2.0/-0mm
S	5mm +/-0.5mm
H0	18.5mm +/-0.75mm
F	0.6mm NOM

### Packaging Specifications

Packaging:	Ammo
Packaging Quantity:	700

### General Information

Supplier:	KEMET
Series:	ESK
Dielectric:	Aluminum Electrolytic
Description:	Single Ended, Aluminum Electrolytic
RoHS:	Yes
Lead:	Wire Leads
Notes:	P1 = 3.85mm

### Specifications

Capacitance:	470 uF
Capacitance Tolerance:	20%
Voltage DC:	50 VDC, 63 VDC (Surge)
Temperature Range:	-40/+85C
Rated Temperature:	85C
Life:	2000 Hrs
Dissipation Factor:	10.00% 120Hz 20c
Ripple Current:	610 mAmps (120Hz 85C)
Leakage Current:	235 uA (2min 20C)
Impedance Ratio at -25C:	3
Impedance Ratio at -40C:	3