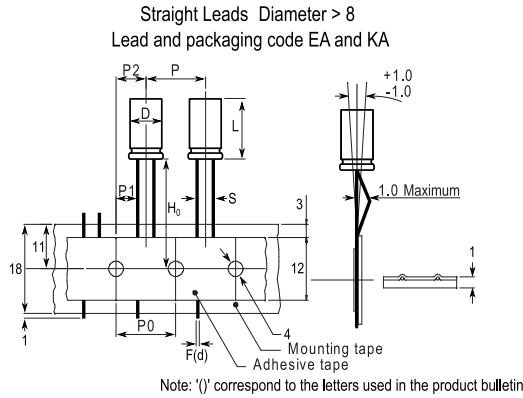


ESK, Aluminum Electrolytic, 85C, 470 uF, 20%, 25 VDC, -40/+85C, Lead Spacing = 5mm



Dimensions

D	10mm +/-0.5mm
L	12mm +/-1.5mm
S	5mm +/-0.5mm
H0	18.5mm +/-0.75mm
F	0.6mm NOM

Packaging Specifications

Packaging:	Ammo
Packaging Quantity:	700

General Information

Supplier:	KEMET
Series:	ESK
Dielectric:	Aluminum Electrolytic
Description:	Single Ended, Aluminum Electrolytic
RoHS:	Yes
Lead:	Wire Leads
Notes:	P/P0 = 12.7mm, P1 = 3.85mm, P2 = 6.35mm

Specifications

Capacitance:	470 uF
Capacitance Tolerance:	20%
Voltage DC:	25 VDC, 32 VDC (Surge)
Temperature Range:	-40/+85C
Rated Temperature:	85C
Life:	2000 Hrs
Dissipation Factor:	14%
Ripple Current:	460 mAmps (120Hz 85C)
Leakage Current:	117.5 uA (2min 20C)
Impedance Ratio at -25C:	3
Impedance Ratio at -40C:	4

Statements of suitability for certain applications are based on our knowledge of typical operating conditions for such applications, but are not intended to constitute - and we specifically disclaim - any warranty concerning suitability for a specific customer application or use. This Information is intended for use only by customers who have the requisite experience and capability to determine the correct products for their application. Any technical advice inferred from this Information or otherwise provided by us with reference to the use of our products is given gratis, and we assume no obligation or liability for the advice given or results obtained.