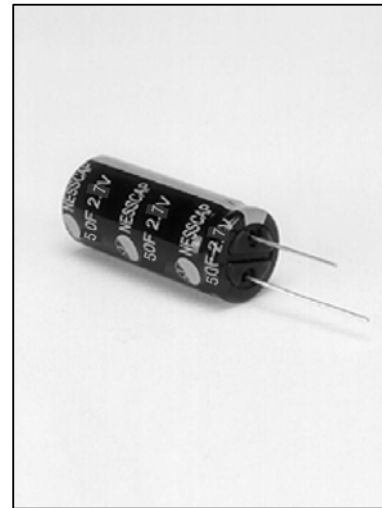
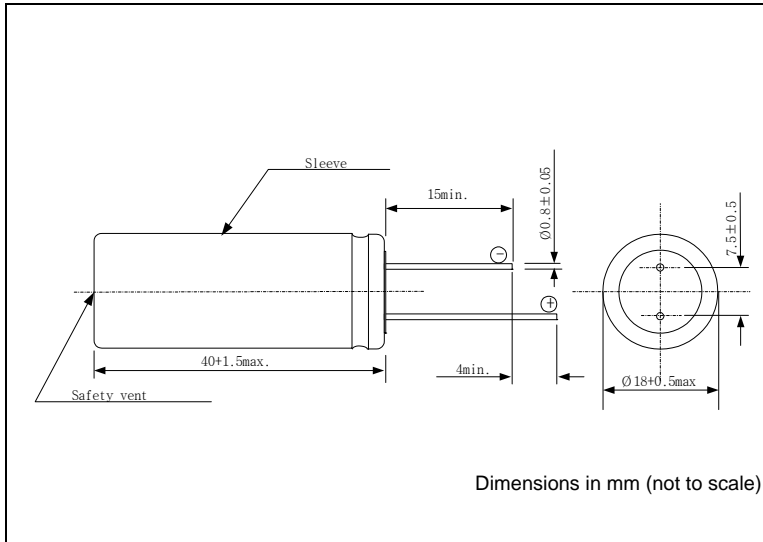


# NESSCAP 50F/2.7V

**ESHSR-0050C0-002R7**

## ■ Features

- Cylindrical cell
- Radial lead terminals



## ■ Specifications

<b>Rated Capacitance, C (DCC<sup>(1)</sup>, 25°C)</b>	<b>50 Farads</b>	<b>(1) Discharging with constant current</b>	
<b>Capacitance Tolerance</b>	<b>-10% / +20%</b>		
<b>Rated Voltage, V<sub>R</sub></b>	<b>2.7 V</b>		
<b>Surge Voltage</b>	<b>2.85 V</b>		
<b>Rated Current (25°C)<sup>(2)</sup></b>	<b>10.8 A</b>	<b>(2) 5 sec discharge rate to 1/2 V<sub>R</sub></b>	
<b>Max. Current (25°C)<sup>(3)</sup></b>	<b>&gt; 30 A</b>	<b>(2) 1 sec discharge rate to 1/2 V<sub>R</sub></b>	
<b>Max. Stored Energy (at V<sub>R</sub>)</b>	<b>182.25J(0.0506Wh)</b>		
<b>Specific Energy</b>	<b>Gravimetric</b>	<b>3.61 Wh/kg</b>	
	<b>Volumetric</b>	<b>4.96 Wh/l</b>	
<b>Specific Power<sup>(3)</sup> (at matched load)</b>	<b>Gravimetric</b>	<b>5.21 kW/kg</b>	<b>(3) Power density at which one-half the energy of the discharge is in the form of electricity and one-half is in heat.</b>
	<b>Volumetric</b>	<b>7.15 kW/l</b>	
<b>Maximum Internal Resistance (ESR)</b>	<b>AC (1kHz)</b>	<b>16 mΩ</b>	
	<b>DC (5.4A)</b>	<b>25 mΩ</b>	
<b>Dimensions</b>	<b>ϕ18 x l 40 mm</b>		
<b>Volume</b>	<b>10.2 ml</b>		
<b>Weight</b>	<b>14.0 g</b>		
<b>Operating temperature range<sup>(4)</sup></b>	<b>-40 ~ 60 °C</b>	<b>(4)  ΔC  &lt; 30% and ESR &lt; 2 times of initially measured value at 25°C, respectively</b>	
<b>Storage temperature range</b>	<b>-40 ~ 70 °C</b>		
<b>Max. Leakage Current, L<sub>c</sub>(12h, 25°C)</b>	<b>1.6 mA</b>		
<b>Life Time at RT<sup>(5)</sup></b>	<b>10 years</b>	<b>(5)  ΔC  &lt; 30% and ESR &lt; 2 times of initially measured value, respectively and LC &lt; specified value</b>	
<b>Cycle Life (25°C)<sup>(5), (6)</sup></b>	<b>500,000 cycles</b>	<b>(6) 1 cycle: charging to V<sub>R</sub> for 20s, constant voltage charging for 10s, discharging to 1/2V<sub>R</sub> for 20s, rest for 10s</b>	

© NESSCAP 2003. All Rights reserved. Design, Specifications are subject to change without notice.