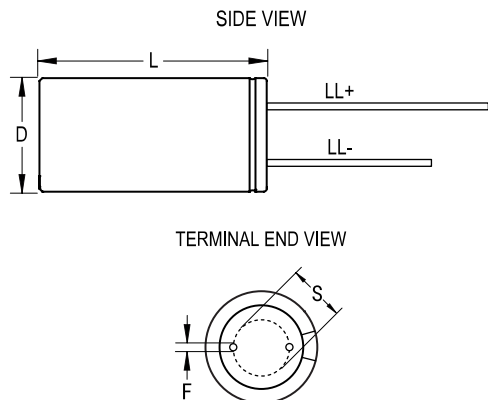


ESH, Aluminum Electrolytic, 105C, 47 uF, 20%, 100 VDC, -40/+105C, Lead Spacing = 5mm



Dimensions	
D	10mm +/-0.5mm
L	12.5mm +1.5/-0mm
S	5mm +/-0.5mm
LL Negative	15mm MIN
LL Positive	20mm MIN
F	0.6mm NOM

Packaging Specifications	
Packaging:	Bulk, Bag
Packaging Quantity:	4000

General Information	
Supplier:	KEMET
Series:	ESH
Dielectric:	Aluminum Electrolytic
Description:	Single Ended Aluminum Electrolytic
RoHS:	Yes
Lead:	Wire Leads

Specifications	
Capacitance:	47 uF
Capacitance Tolerance:	20%
Voltage DC:	100 VDC, 125 VDC (Surge)
Temperature Range:	-40/+105C
Rated Temperature:	105C
Life:	2000 Hrs
Dissipation Factor:	10.00% 120Hz 25C
Ripple Current:	185 mAmps (120Hz 105C)
Leakage Current:	47 uA (2min 20C)
Impedance Ratio at -25C:	2
Impedance Ratio at -40C:	3