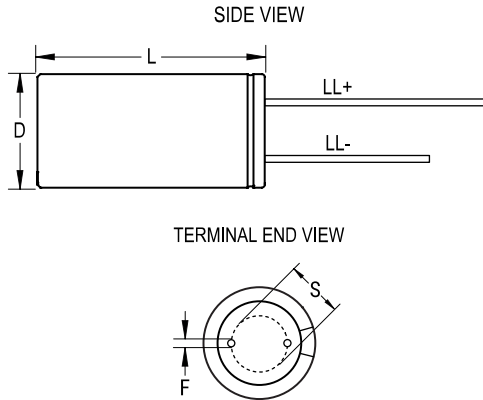


ESC, Aluminum Electrolytic, 105C LowZ, 10 uF, 20%, 35 VDC, -40/+105C, Lead Spacing = 2mm



| General Information | |
|---------------------|---|
| Supplier: | KEMET |
| Series: | ESC |
| Dielectric: | Aluminum Electrolytic |
| Description: | LowESR Single Ended Aluminum Electrolytic |
| Features: | Low ESR |
| RoHS: | Yes |
| Lead: | Wire Leads |

| Dimensions | |
|-------------|--------------|
| D | 5mm +/-0.5mm |
| L | 11mm +1.5mm |
| S | 2mm +/-0.5mm |
| LL Negative | 15mm MIN |
| LL Positive | 20mm MIN |
| F | 0.5mm NOM |

| Specifications | |
|--------------------------|-------------------------|
| Capacitance: | 10 uF |
| Capacitance Tolerance: | 20% |
| Voltage DC: | 35 VDC, 44 VDC (Surge) |
| Temperature Range: | -40/+105C |
| Rated Temperature: | 105C |
| Life: | 2000 Hrs |
| Dissipation Factor: | 12.00% |
| Resistance: | 0.9 Ohms (100kHz) |
| Ripple Current: | 140 mAmps (100kHz 105C) |
| Leakage Current: | 3 uA (2min 20C) |
| Impedance Ratio at -25C: | 3 |
| Impedance Ratio at -40C: | 4 |

| Packaging Specifications | |
|--------------------------|-----------|
| Packaging: | Bulk, Bag |
| Packaging Quantity: | 10000 |