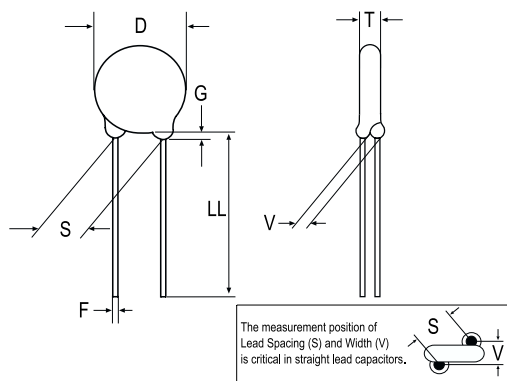


Ceramic, Safety, ERP610, 4700 pF, 20%, Y5U, Lead Spacing = 12.5mm



**Dimensions**

<b>D</b>	17mm MAX
<b>T</b>	5mm MAX
<b>S</b>	12.5mm NOM
<b>LL</b>	30mm -3mm
<b>F</b>	0.6mm +/-0.05mm
<b>G</b>	3mm MAX

**Packaging Specifications**

<b>Packaging:</b>	Bulk, Bag
-------------------	-----------

**General Information**

<b>Style:</b>	Radial Disc
<b>Series:</b>	ERP610
<b>Description:</b>	Ceramic Single Layer Safety Disc Capacitors
<b>RoHS:</b>	Yes
<b>Termination:</b>	Tin
<b>Approvals:</b>	UL, CSA, ENEC

**Specifications**

<b>Capacitance:</b>	4700 pF
<b>Capacitance Tolerance:</b>	20%
<b>Temperature Range:</b>	-40/+125C
<b>Temperature Coefficient:</b>	Y5U
<b>Dissipation Factor:</b>	2.5%
<b>Insulation Resistance:</b>	10 GOhms
<b>Voltage:</b>	760 VAC (X1), 500 VAC (Y1)