

EM7079-000 ✓ ACTIVE

RAYCHEM | P-Clamps

TE Internal #: EM7079-000

P-Clamp, 5 Clamp Size, P-Clamps, Cable Mounting & Harness

Accessories

[View on TE.com >](#)



Wire Protection & Management > Cable Mounting & Harness Accessories > Flexible P-Clamp



Cable Mounting Accessory Type: **P-Clamp**

Clamp Size: **5**

Compatible Cable Bundle Diameter Range: **6.35 – 9.53 mm [ .25 – .375 in ]**

[All Flexible P-Clamp \(10\)](#)

## Features

### Product Type Features

Cable Mounting Accessory Type	P-Clamp
-------------------------------	---------

### Body Features

Weight per Piece	4.6 g
------------------	-------

### Dimensions

Compatible Cable Bundle Diameter Range	6.35 – 9.53 mm [.25 – .375 in]
--	--------------------------------

### Usage Conditions

Operating Temperature Range	-65 – 85 °C [-85 – 185 °F]
-----------------------------	----------------------------

### Other

Clamp Size	5
------------	---

## Product Compliance

[For compliance documentation, visit the product page on TE.com>](#)

EU RoHS Directive 2011/65/EU	Compliant
EU ELV Directive 2000/53/EC	Compliant
China RoHS 2 Directive MIIT Order No 32, 2016	No Restricted Materials Above Threshold
EU REACH Regulation (EC) No. 1907/2006	Current ECHA Candidate List: JUNE 2024 (241) Candidate List Declared Against: JUNE 2024 (241)

Does not contain REACH SVHC

Halogen Content

Low Halogen - Br, Cl, F, I &lt; 900 ppm per homogenous material. Also BFR/CFR/PVC Free

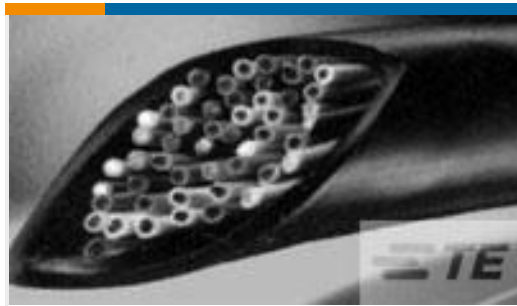
Solder Process Capability

Not applicable for solder process capability

## Product Compliance Disclaimer

This information is provided based on reasonable inquiry of our suppliers and represents our current actual knowledge based on the information they provided. This information is subject to change. The part numbers that TE has identified as EU RoHS compliant have a maximum concentration of 0.1% by weight in homogenous materials for lead, hexavalent chromium, mercury, PBB, PBDE, DBP, BBP, DEHP, DIBP, and 0.01% for cadmium, or qualify for an exemption to these limits as defined in the Annexes of Directive 2011/65/EU (RoHS2). Finished electrical and electronic equipment products will be CE marked as required by Directive 2011/65/EU. Components may not be CE marked. Additionally, the part numbers that TE has identified as EU ELV compliant have a maximum concentration of 0.1% by weight in homogenous materials for lead, hexavalent chromium, and mercury, and 0.01% for cadmium, or qualify for an exemption to these limits as defined in the Annexes of Directive 2000/53/EC (ELV). Regarding the REACH Regulation, the information TE provides on SVHC in articles for this part number is based on the latest European Chemicals Agency (ECHA) 'Guidance on requirements for substances in articles' posted at this URL: <https://echa.europa.eu/guidance-documents/guidance-on-reach>

## Compatible Parts



TE Part # 0697834002  
NTFR-1/2-0-SP



TE Part # EG3246-000  
LWB-103-6.0(100)



TE Part # 216005-007  
55A0111-20-9



TE Part # EG1595-000  
CBMS-10-P



TE Part # 2400051-1  
CABM-M1

Also in the Series | [P-Clamps](#)



Cable Mounting & Harness Accessories (10)

## Customers Also Bought



TE Part #1-175216-5  
DYNAMIC D-3 REC CONT. S PRE-TIN L/P



TE Part #EM7081-000  
Flexible P-Clamp



TE Part #1-770246-0  
UMNL II PIN AUNIPHBZ LP 12-10



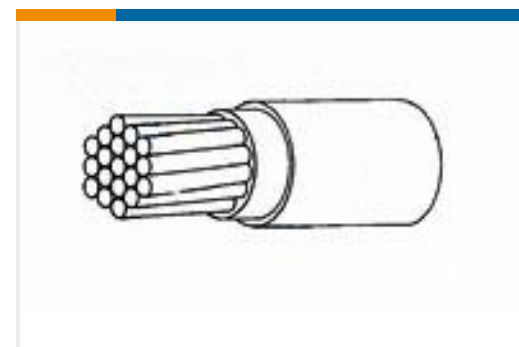
TE Part #2367286-1  
LTE ANTENNA COTS FPC ASSY 200mm Cable



TE Part #ANT-LTE-RPC-UFL  
Antenna LTE RPC PCB Adhes 100mm UFL



TE Part #433763-000  
55A1811-16-9-9CS2275



TE Part #855850-001  
22759/43-12-9

## Documents

### Product Drawings

[THA-PDKG-05](#)

English

### CAD Files

[3D PDF](#)

3D

Customer View Model

[ENG\\_CVM\\_CVM\\_EM7079-000\\_B.2d\\_dxf.zip](#)

English

Customer View Model

[ENG\\_CVM\\_CVM\\_EM7079-000\\_B.3d\\_igs.zip](#)

English

Customer View Model

[ENG\\_CVM\\_CVM\\_EM7079-000\\_B.3d\\_stp.zip](#)

English

By downloading the CAD file I accept and agree to the [Terms and Conditions](#) of use.



---

**Datasheets & Catalog Pages**

[TE Connectivity P-Clamp](#)

English

---

**Product Specifications**

[Application Specification](#)

English

---

**Instruction Sheets**

[Instruction Sheet \(U.S.\)](#)

English