



RAYCHEM HexaShield Backshells

TE Internal #: EM5311-000

TE Internal Description: HEX40-AB-00-25-A12-3-DS

[View on TE.com >](#)

Product Compliance

[For compliance documentation, visit the product page on TE.com>](#)

EU RoHS Directive 2011/65/EU	Not Compliant
EU ELV Directive 2000/53/EC	Not Yet Reviewed
China RoHS 2 Directive MIIT Order No 32, 2016	Restricted Materials Above Threshold
EU REACH Regulation (EC) No. 1907/2006	<p>Current ECHA Candidate List: JUNE 2024 (241)</p> <p>Candidate List Declared Against: JUNE 2023 (235)</p> <p>SVHC > Threshold: Cd (3% in Plating) Pb (.3% in Backshell)</p> <p>Article Safe Usage Statements: Use personal protective equipment as required. Do not eat, drink or smoke when using this product. Wash thoroughly after handling. Recycle if possible and dispose of the article by following all applicable governmental regulations relevant to your geographic location.</p>
Halogen Content	Low Halogen - Br, Cl, F, I < 900 ppm per homogenous material. Also BFR/CFR/PVC Free
Solder Process Capability	Not reviewed for solder process capability

Product Compliance Disclaimer

This information is provided based on reasonable inquiry of our suppliers and represents our current actual knowledge based on the information they provided. This information is subject to change. The part numbers that TE has identified as EU RoHS compliant have a maximum concentration of 0.1% by weight in homogenous materials for lead, hexavalent chromium, mercury, PBB, PBDE, DBP, BBP, DEHP, DIBP, and 0.01% for cadmium, or qualify for an exemption to these limits as defined in the Annexes of Directive 2011/65/EU (RoHS2). Finished electrical and electronic equipment products will be CE marked as required by Directive 2011/65/EU. Components may not be CE marked. Additionally, the part numbers that TE has identified as EU ELV compliant have a maximum concentration of 0.1% by weight in homogenous materials for lead, hexavalent chromium, and mercury, and 0.01% for cadmium, or qualify for an exemption to these limits as defined in the Annexes of Directive 2000/53/EC (ELV). Regarding the REACH Regulation, the information TE provides on SVHC in articles for this part number is based on the latest European Chemicals Agency (ECHA) 'Guidance on requirements for substances in articles' posted at this URL: <https://echa.europa.eu/guidance-documents/guidance-on-reach>

Compatible Parts



TE Part # CW2823-000
R85049/128-3

Also in the Series

Customers Also Bought



TE Part #DT04-2P
REC, 2P, GRY, N



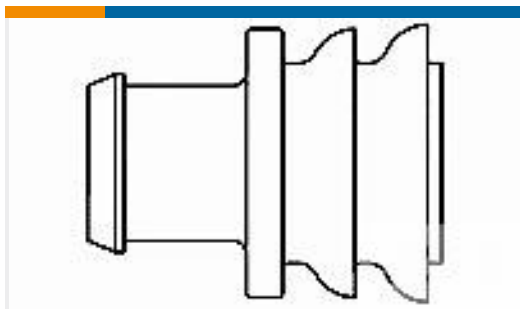
TE Part #W3P
Wedgelocks: DEUTSCH DT



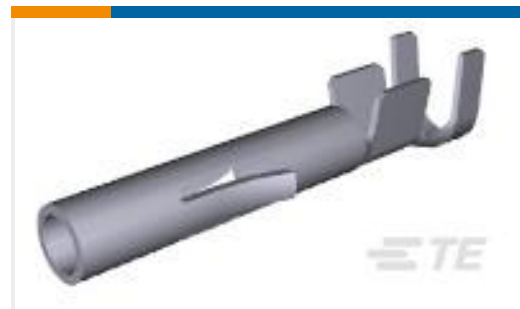
TE Part #282087-1
AMP SUPERSEAL 1.5MM,
CONNECTOR HOUSING



TE Part #206429-1
CPC PLUG ASSY, 11-4, REV SEX



TE Part #281934-2
SINGLE WIRE SEAL



TE Part #350536-1
UMNL SOK 20-14 .0126 PTPBR



TE Part #0462-201-20141
SOC, SOLID, SIZE 20, 20AWG, NI



TE Part #114017-ZZ
SEALING PLUG, SIZE 12/16, WHT

Documents

Datasheets & Catalog Pages

HexaShield High Performance Adapters

English