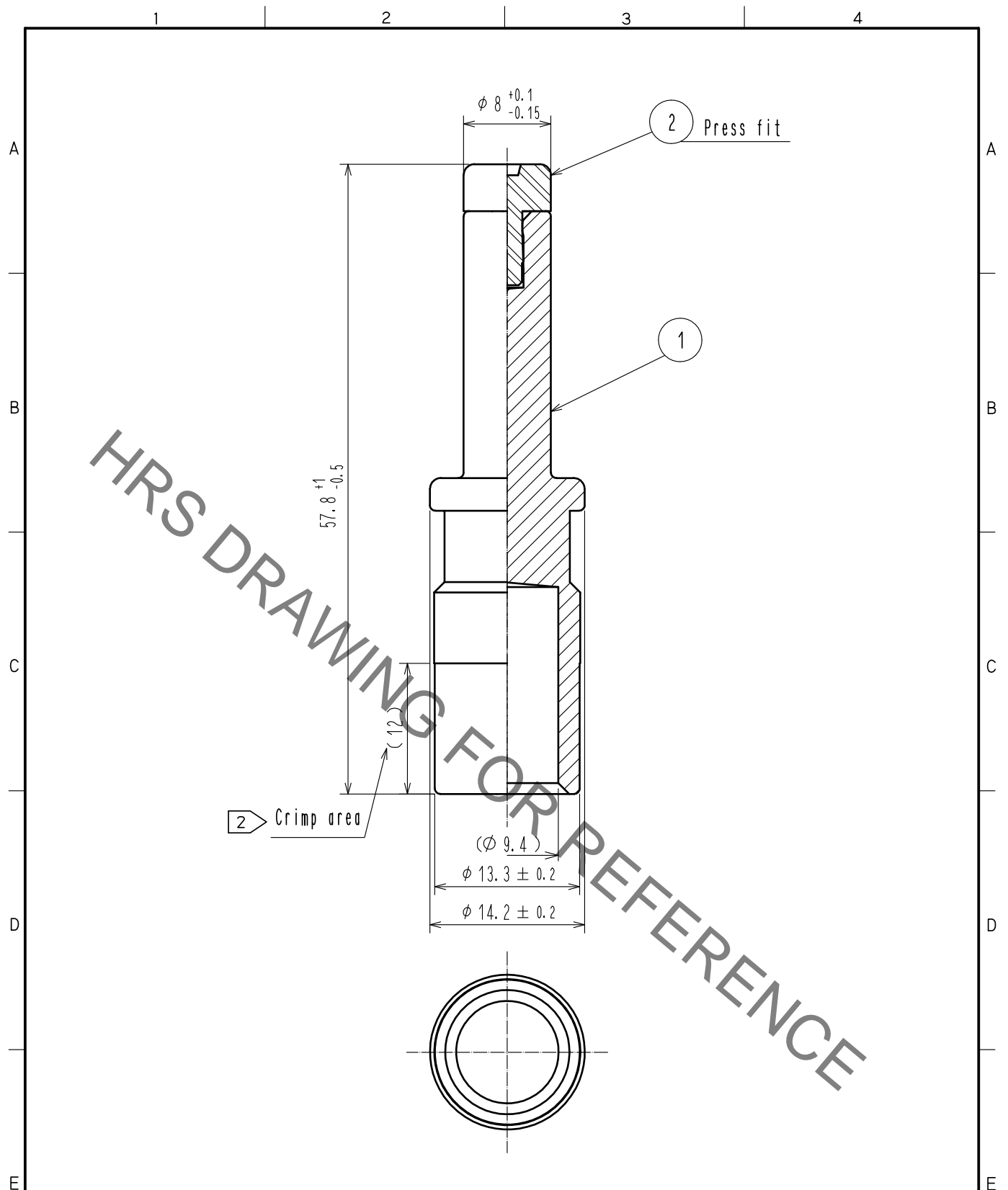


Oct.1.2019 Copyright 2019 HIROSE ELECTRIC CO., LTD. All Rights Reserved.
 In case of consideration for using Automotive equipment / device which demand high reliability, kindly contact our sales window correspondents.



- Notes 1 Recommended crimp tool: JIS C 9711 Izumi CO.,LTD REC-150F
 2 Please crimp in such a way to leave a punch mark in the center of the crimp area.
 3 Each pack contains 4 contacts.

1	Copper Alloy	Silver plating 3μm	2	Polyamide resin (Medium grey) UL94V-0			
NO.	MATERIAL	FINISH . REMARKS	NO.	MATERIAL	FINISH . REMARKS		
UNITS mm		SCALE 2 : 1	COUNT 	DESCRIPTION OF REVISIONS	DESIGNED	CHECKED	DATE
HRS HIROSE ELECTRIC CO., LTD.	APPROVED :SU. OBARA	15.12.17	DRAWING NO.	EDC-119265-00-00			
	CHECKED :YH. YAMADA	15.12.17	PART NO.	EM52M-PC2-132			
	DESIGNED :YS. SAKODA	15.12.17	CODE NO.	CL138-0006-0-00			
	DRAWN :THOMAS FORAN	15.12.17					