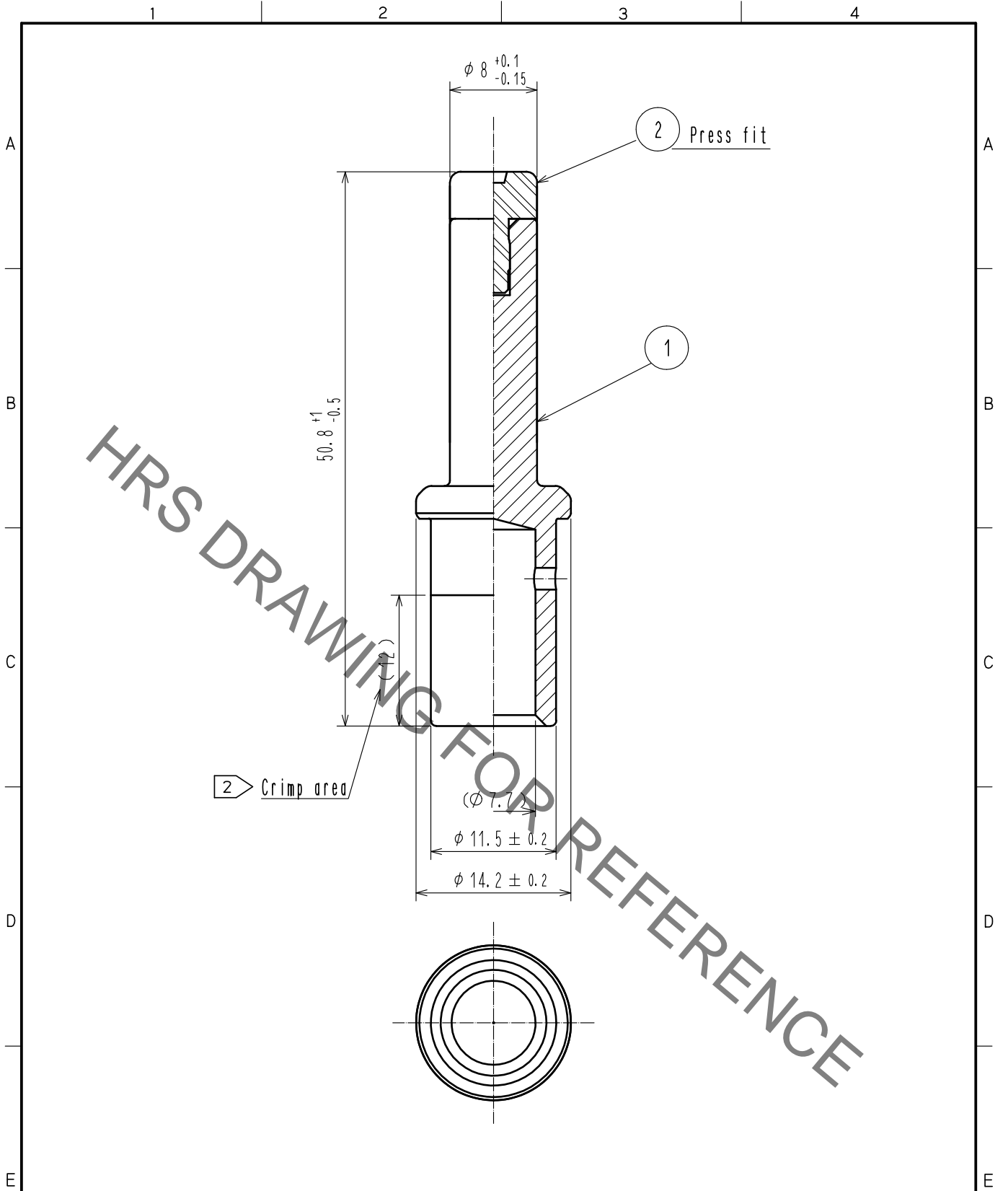


Oct.1.2019 Copyright 2019 HIROSE ELECTRIC CO., LTD. All Rights Reserved.  
 In case of consideration for using Automotive equipment / device which demand high reliability, kindly contact our sales window correspondents.



- Notes
- 1 Recommended crimp tool: JIS C 9711 Izumi CO.,LTD REC-150F
  - 2 Please crimp in such a way to leave a punch mark in the center of the crimp area.
  - 3 Each pack contains 4 contacts.

1	Copper Alloy	Silver plating 3μm	2	Polyamide resin (Black) UL94V-0			
NO.	MATERIAL	FINISH . REMARKS	NO.	MATERIAL	FINISH . REMARKS		
UNITS mm		SCALE 2 : 1	COUNT 	DESCRIPTION OF REVISIONS	DESIGNED	CHECKED	DATE
HIROSE ELECTRIC CO., LTD.	APPROVED	: SU. OBARA	15.12.17	DRAWING NO.	EDC-119266-00-00		
	CHECKED	: YH. YAMADA	15.12.17	PART NO.	EM52M-PC-112		
	DESIGNED	: YS. SAKODA	15.12.17	CODE NO.	CL138-0012-0-00		
	DRAWN	: THOMAS FORAN	15.12.17				