

222S132-100C-0 ✓ ACTIVE

RAYCHEM | RAYCHEM Rayaten

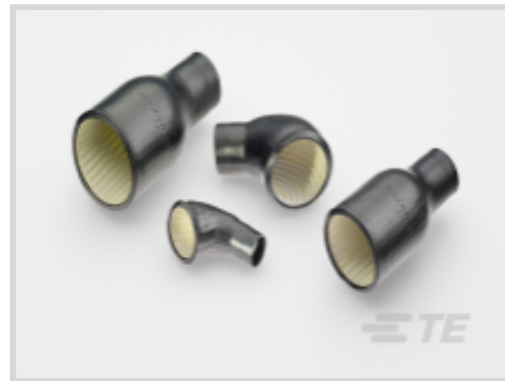
TE Internal #: EK7305-000

100, Low Fire Hazard Screened Material, Adhesive Purchased Separately, 20 mm [.787 in] Expanded Inside, RAYCHEM Rayaten, EMI Shielded Boots

[View on TE.com >](#)



Wire Protection & Management > Heat Shrink Shapes > EMI Shielded Boots



Material Systems Code: 100

Primary Product Material: Low Fire Hazard Screened Material

Adhesive Requirement: Adhesive Purchased Separately

Expanded Inside Diameter (Min): 20 mm [.787 in]

Recovered Inside Diameter (Max): 10.4 mm [.41 in]

Features

Configuration Features

Adhesive Requirement	Adhesive Purchased Separately
----------------------	-------------------------------

Body Features

Material Code	100
Primary Product Color	Black
Material Systems Code	100
Primary Product Material	Low Fire Hazard Screened Material

Housing Features

Body Orientation	Right Angle
------------------	-------------

Dimensions

Expanded Inside Diameter (Min)	20 mm [.787 in]
Recovered Inside Diameter (Max)	10.4 mm [.41 in]
Compatible Cable Diameter Range	6.3 – 12.75 mm [.25 – .5 in]

Usage Conditions

Flammability Performance	Low Fire Hazard
Operating Temperature Range	-30 – 105 °C

Product Compliance

[For compliance documentation, visit the product page on TE.com>](#)

EU RoHS Directive 2011/65/EU	Compliant
EU ELV Directive 2000/53/EC	Not Yet Reviewed
China RoHS 2 Directive MIIT Order No 32, 2016	No Restricted Materials Above Threshold
EU REACH Regulation (EC) No. 1907/2006	Current ECHA Candidate List: JUNE 2024 (241) Candidate List Declared Against: JUNE 2024 (241) Does not contain REACH SVHC
Halogen Content	Not Yet Reviewed for halogen content
Solder Process Capability	Not reviewed for solder process capability

Product Compliance Disclaimer

This information is provided based on reasonable inquiry of our suppliers and represents our current actual knowledge based on the information they provided. This information is subject to change. The part numbers that TE has identified as EU RoHS compliant have a maximum concentration of 0.1% by weight in homogenous materials for lead, hexavalent chromium, mercury, PBB, PBDE, DBP, BBP, DEHP, DIBP, and 0.01% for cadmium, or qualify for an exemption to these limits as defined in the Annexes of Directive 2011/65/EU (RoHS2). Finished electrical and electronic equipment products will be CE marked as required by Directive 2011/65/EU. Components may not be CE marked. Additionally, the part numbers that TE has identified as EU ELV compliant have a maximum concentration of 0.1% by weight in homogenous materials for lead, hexavalent chromium, and mercury, and 0.01% for cadmium, or qualify for an exemption to these limits as defined in the Annexes of Directive 2000/53/EC (ELV). Regarding the REACH Regulation, the information TE provides on SVHC in articles for this part number is based on the latest European Chemicals Agency (ECHA) 'Guidance on requirements for substances in articles' posted at this URL: <https://echa.europa.eu/guidance-documents/guidance-on-reach>

Compatible Parts



TE Part # 369276-000
S1184-KIT-1

Also in the Series | **RAYCHEM Rayaten**



EMI Shielded Boots(80)

Customers Also Bought



TE Part #DT04-2P
REC, 2P, GRY, N



TE Part #DT06-2S
PLG, 2P, GRY, N



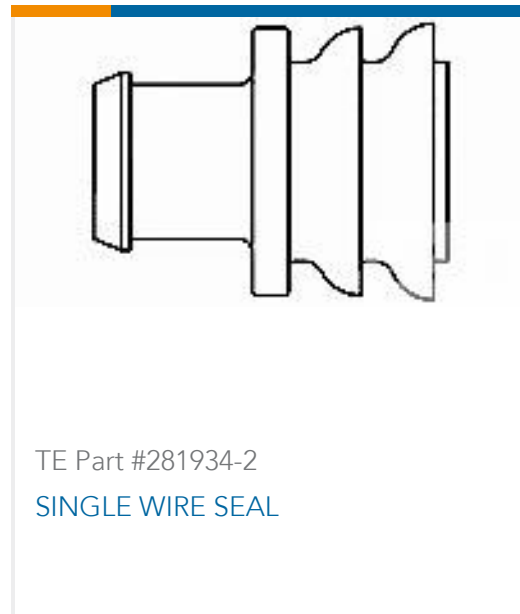
TE Part #W2S
Wedgelocks: DEUTSCH DT



TE Part #0460-202-16141
DEUTSCH Solid Contacts



TE Part #282080-1
AMP SUPERSEAL 1.5MM,
CONNECTOR HOUSING



TE Part #281934-2
SINGLE WIRE SEAL



TE Part #114017-ZZ
SEALING PLUG, SIZE 12/16, WHT

Documents

Product Drawings

[222S132-100C-0](#)

English

Datasheets & Catalog Pages

[INSTALITE Molded Boots with Rayaten](#)

English