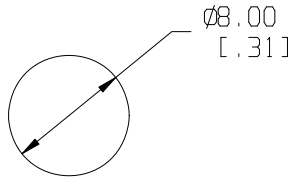


ELECTRICAL SPECS:

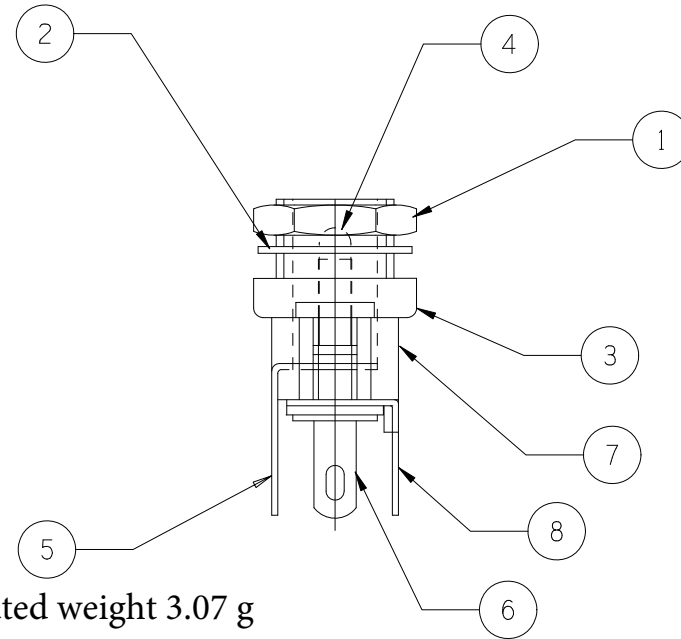
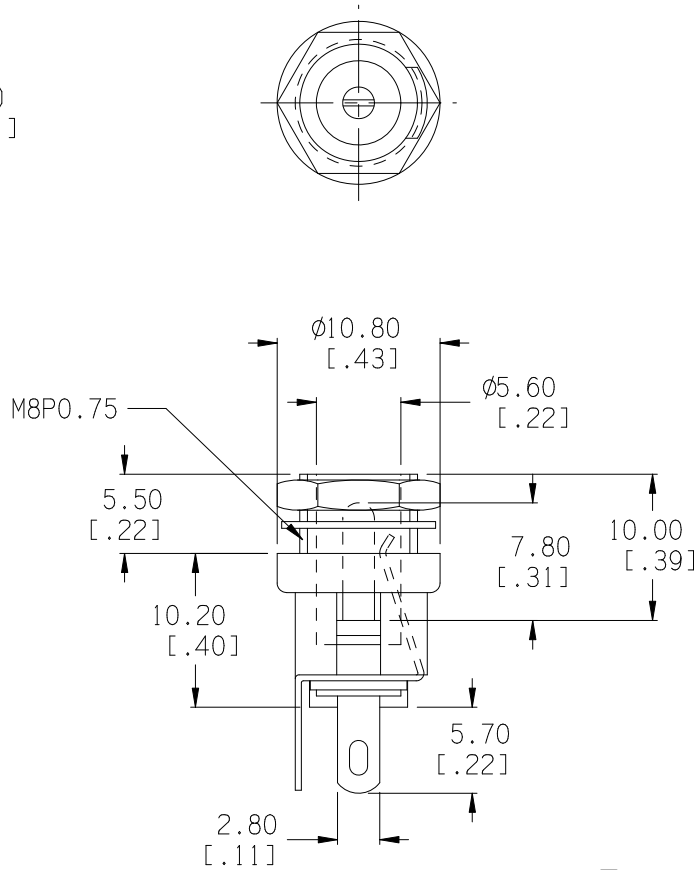
1. LIFE: 10,000 INSERTION/WITHDRAWAL CYCLE MINIMUM
2. CONTACT RESISTANCE: 50m Ω MAXIMUM
3. INSULATION RESISTANCE: 1000m Ω MINIMUM
4. DIELECTRIC WITHSTANDING VOLTAGE: 500AC MAXIMUM
5. MAXIMUM RATING: 5A, 12V DC

ROHS 2 COMPLIANT

Date	SYM	REVISION RECORD	AUTH	DR.	CK.
05/08/04	A	ADDED ELECTRICAL SPECS	T.B.	B.S.	
12/05/14	B	UPDATED TO ROHS 2 COMPLIANT	T.B.	B.S.	



PANEL CUT-OUT



Estimated weight 3.07 g

ITEM NO.	PART NAME	MATL. SPECIFICATION	Tolerance (Inches)	MPD Memory Protection Devices, Inc. 200 Broad Hollow Road, Farmingdale, New York 11735	
1	HEX. NUT	BRASS, NICKLE PLTD.	Decimal $\pm .5$ (.020)	Scale	Drawn By B.S.
2	FLAT WASHER	IRON, NICKLE PLTD.			Approved By T.B.
3	TOP HOUSING	BRASS, NICKLE PLTD.	Fractional $\pm .8$ (.030)	Title DC JACK - CHASSIS MOUNT, CLOSED CIRCUIT	
4	PIN ($\varnothing 2.1$)	COPPER, NICKLE PLTD.			
5	SOLDER TERMINAL	BRASS, SILVER PLTD.	Angular $\pm 3^\circ$	Date 12/05/14	Drawing Number EJ502A
6	SOLDER TERMINAL	BRASS, SILVER PLTD.			
7	BOTTOM HOUSING	NYLON, BLACK			
8	SOLDER TERMINAL	BRASS, SILVER PLTD.			