

R85049/90-19Z03 ✓ ACTIVE

RAYCHEM | RAYCHEM AS85049

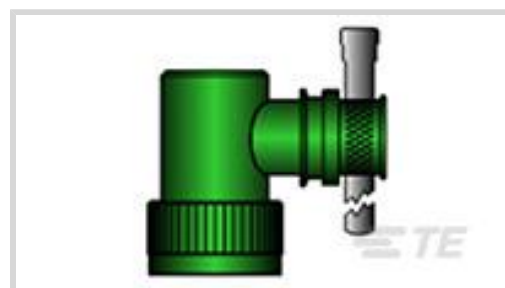
TE Internal #: EF8626-000

Screened, Backshell, .75 in [19.05 mm] Cable Entry, Aluminum Alloy, Right Angle, Shell Size 19, Self-Locking Shield Band Termination, RAYCHEM AS85049

[View on TE.com >](#)



Connectors > Connector Accessories > Connector Backshells



Connector Backshell Product Style: **Screened**

Connector Backshell Product Type: **Backshell**

Cable Entry Diameter: **19.05 mm [ .75 in ]**

Primary Product Material: **Aluminum Alloy**

Body Orientation: **Right Angle**

## Features

### Product Type Features

Connector Backshell Product Style	Screened
Connector Backshell Product Type	Backshell
Sealable	Yes
Termination Device Type	Self-Locking Shield Band

### Body Features

Primary Product Material	Aluminum Alloy
Primary Product Plating Material	Zinc Nickel

### Housing Features

Body Orientation	Right Angle
Compatible With Connector Shape	Circular

### Dimensions

Cable Entry Diameter	19.05 mm [.75 in]
----------------------	-------------------

### Usage Conditions

Operating Temperature Range	-65 – 175 °C [-85 – 347 °F]
-----------------------------	-----------------------------

### Operation/Application

Compatible With Connector Shell Size	19
--------------------------------------	----

### Industry Standards



Connector Detail Specification Number	D38999/20, D38999/24, D38999/26, D38999/40, D38999/42, D38999/47
---------------------------------------	--

**Other**

Connector Interface Specification	MIL-DTL-38999 Series III/Class C,F,K,W, MIL-DTL-38999 Series IV/Class C,F,W, MIL-DTL-38999 Series IV/Class F,W
-----------------------------------	--

**Product Compliance**

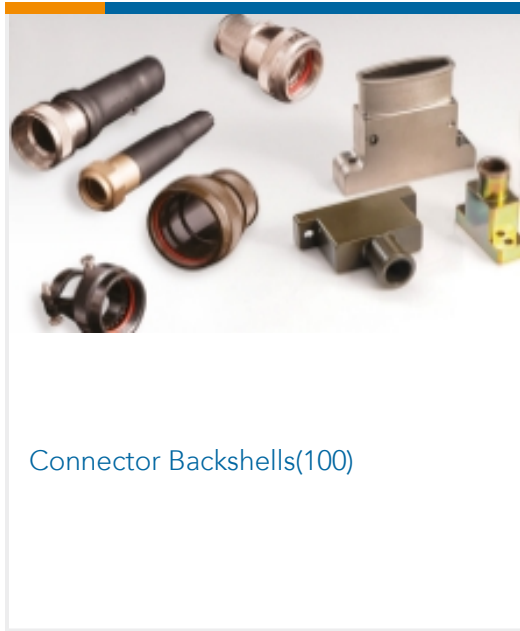
[For compliance documentation, visit the product page on TE.com>](#)

EU RoHS Directive 2011/65/EU	Compliant with Exemptions
EU ELV Directive 2000/53/EC	Compliant
China RoHS 2 Directive MIIT Order No 32, 2016	Restricted Materials Above Threshold
EU REACH Regulation (EC) No. 1907/2006	Current ECHA Candidate List: JUNE 2024 (241) Candidate List Declared Against: JAN 2024 (240) SVHC > Threshold: Pb (.3% in BODY & NUT) <b>Article Safe Usage Statements:</b> Do not eat, drink or smoke when using this product. Wash thoroughly after handling. Recycle if possible and dispose of the article by following all applicable governmental regulations relevant to your geographic location.
Halogen Content	Low Halogen - Br, Cl, F, I < 900 ppm per homogenous material. Also BFR/CFR/PVC Free
Solder Process Capability	Not applicable for solder process capability

Product Compliance Disclaimer

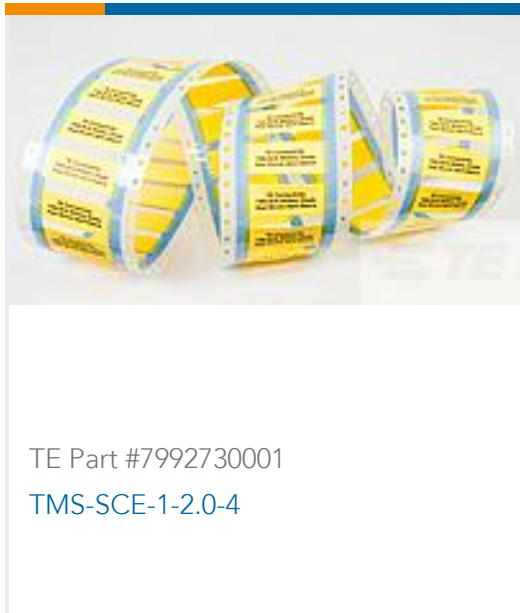
This information is provided based on reasonable inquiry of our suppliers and represents our current actual knowledge based on the information they provided. This information is subject to change. The part numbers that TE has identified as EU RoHS compliant have a maximum concentration of 0.1% by weight in homogenous materials for lead, hexavalent chromium, mercury, PBB, PBDE, DBP, BBP, DEHP, DIBP, and 0.01% for cadmium, or qualify for an exemption to these limits as defined in the Annexes of Directive 2011/65/EU (RoHS2). Finished electrical and electronic equipment products will be CE marked as required by Directive 2011/65/EU. Components may not be CE marked. Additionally, the part numbers that TE has identified as EU ELV compliant have a maximum concentration of 0.1% by weight in homogenous materials for lead, hexavalent chromium, and mercury, and 0.01% for cadmium, or qualify for an exemption to these limits as defined in the Annexes of Directive 2000/53/EC (ELV). Regarding the REACH Regulation, the information TE provides on SVHC in articles for this part number is based on the latest European Chemicals Agency (ECHA) 'Guidance on requirements for substances in articles' posted at this URL: <https://echa.europa.eu/guidance-documents/guidance-on-reach>

Also in the Series | [RAYCHEM AS85049](#)



Connector Backshells(100)

## Customers Also Bought



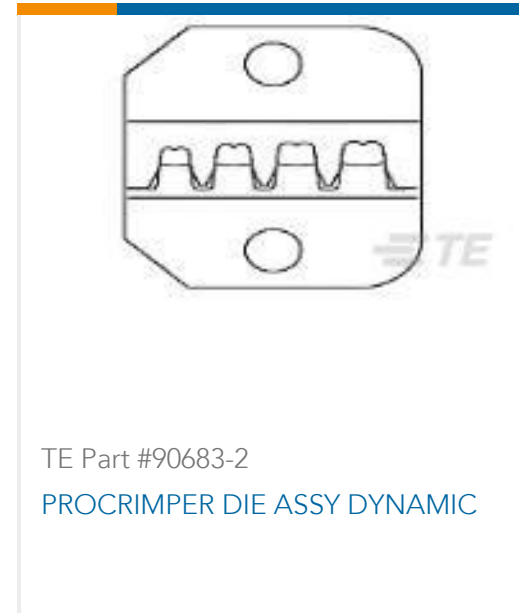
TE Part #7992730001  
TMS-SCE-1-2.0-4



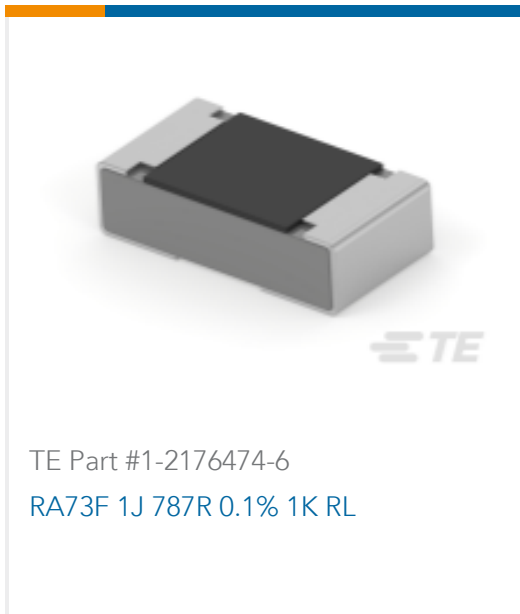
TE Part #YDTS24Z19-35SNV001  
RECP ASSY



TE Part #53423-1  
PIDG Radiation Resistant C Rings /Spades



TE Part #90683-2  
PROCRIMPER DIE ASSY DYNAMIC



TE Part #1-2176474-6  
RA73F 1J 787R 0.1% 1K RL



TE Part #9036810-0040  
CONN,PLUG,STRGHT,4COND,5M, SC4



TE Part #EF8641-000  
R85049/84-12Z03

## Documents

### Product Drawings

[R85049/90-19Z03](#)

English

### Datasheets & Catalog Pages

[A85049 - PART MARK](#)

English

### Product Specifications

[General Harness Repair Manual](#)

English