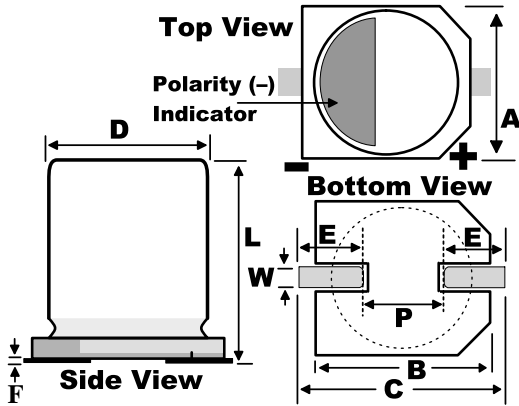


EEV, Aluminum Electrolytic, 105C LowZ, 1,000 uF, 20%, 6.3 VDC, -55/+105C



| General Information |                                      |
|---------------------|--------------------------------------|
| Supplier:           | KEMET                                |
| Series:             | EEV                                  |
| Dielectric:         | Aluminum Electrolytic                |
| Style:              | SMD Can                              |
| Description:        | Surface Mount, Aluminum Electrolytic |
| Features:           | Ultra Low Impedance                  |
| RoHS:               | Yes                                  |
| Lead:               | V-Chip                               |

| Dimensions |                 |
|------------|-----------------|
| D          | 8mm +/-0.5mm    |
| L          | 10.2mm +/-0.3mm |
| W          | 0.9mm +/-0.2mm  |
| F          | 0.3mm MAX       |
| A          | 8.3mm +/-0.2mm  |
| B          | 8.3mm +/-0.2mm  |
| C          | 10mm MAX        |
| E          | 3.4mm +/-0.2mm  |
| P          | 3.1mm +/-0.2mm  |

| Specifications           |  |
|--------------------------|--|
| Capacitance:             | 1,000 uF   |
| Capacitance Tolerance:   | 20%  |
| Voltage DC:              | 6.3 VDC, 8 VDC (Surge)                                       |
| Temperature Range:       | -55/+105C  |
| Rated Temperature:       | 105C   |
| Life:                    | 2000 Hrs   |
| Dissipation Factor:      | 26.00% 120Hz 20C   |
| Resistance:              | 0.16 Ohms (100kHz 20C)                                       |
| Ripple Current:          | 420 mAmps (120Hz), 840 mAmps (120Hz 85C), 600 mAmps (100kHz) |
| Leakage Current:         | 63 uA (2min 20C)   |
| Impedance Ratio at -25C: | 2  |
| Impedance Ratio at -40C: | 3  |
| High Temperature Solder: | Yes  |

| Packaging Specifications |            |
|--------------------------|------------|
| Packaging:               | T&R, 380mm |
| Packaging Quantity:      | 500        |