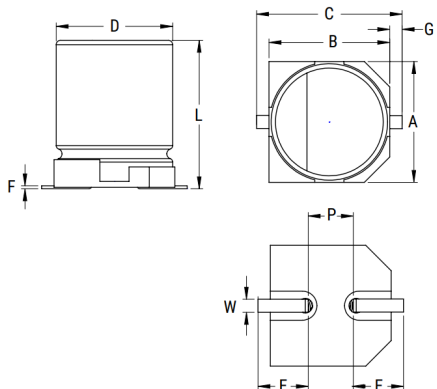


EDT, Aluminum Electrolytic, 33 uF, 20%, 50 VDC, -40/+125°C



**Dimensions**

|          |                 |
|----------|-----------------|
| <b>D</b> | 8mm +/-0.5mm    |
| <b>L</b> | 10.2mm +/-0.3mm |
| <b>W</b> | 0.9mm +/-0.2mm  |
| <b>F</b> | 0.3mm MAX       |
| <b>A</b> | 8.3mm +/-0.2mm  |
| <b>B</b> | 8.3mm +/-0.2mm  |
| <b>C</b> | 10mm MAX        |
| <b>E</b> | 3.4mm +/-0.2mm  |
| <b>G</b> | 0.7mm +/-0.2mm  |
| <b>P</b> | 3.1mm +/-0.2mm  |

**Packaging Specifications**

|                            |     |
|----------------------------|-----|
| <b>Packaging:</b>          | T&R |
| <b>Packaging Quantity:</b> | 500 |

**General Information**

|                     |                                      |
|---------------------|--------------------------------------|
| <b>Series:</b>      | EDT                                  |
| <b>Dielectric:</b>  | Aluminum Electrolytic                |
| <b>Style:</b>       | SMD Can                              |
| <b>Description:</b> | Surface Mount, Aluminum Electrolytic |
| <b>RoHS:</b>        | Yes                                  |
| <b>Lead:</b>        | V-Chip                               |
| <b>AEC-Q200:</b>    | No                                   |

**Specifications**

|                                 |                        |
|---------------------------------|------------------------|
| <b>Capacitance:</b>             | 33 uF                  |
| <b>Capacitance Tolerance:</b>   | 20%                    |
| <b>Voltage DC:</b>              | 50 VDC, 63 VDC (Surge) |
| <b>Temperature Range:</b>       | -40/+125°C             |
| <b>Rated Temperature:</b>       | 125°C                  |
| <b>Life:</b>                    | 2000 Hrs               |
| <b>Dissipation Factor:</b>      | 12%                    |
| <b>Ripple Current:</b>          | 130 mAmps (120Hz 125C) |
| <b>Leakage Current:</b>         | 16.5 uA (2min 20°C)    |
| <b>Impedance Ratio at -25C:</b> | 2                      |
| <b>Impedance Ratio at -40C:</b> | 3                      |
| <b>High Temperature Solder:</b> | Yes                    |