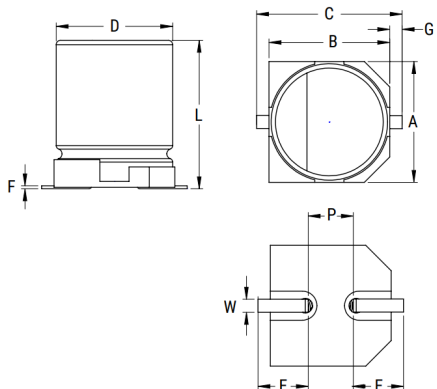


EDT, Aluminum Electrolytic, 220 uF, 20%, 35 VDC, -40/+125°C



**Dimensions**

<b>D</b>	10mm +/-0.5mm
<b>L</b>	10.2mm +/-0.3mm
<b>W</b>	0.9mm +/-0.2mm
<b>F</b>	0.3mm MAX
<b>A</b>	10.3mm +/-0.2mm
<b>B</b>	10.3mm +/-0.2mm
<b>C</b>	13mm MAX
<b>E</b>	3.5mm +/-0.2mm
<b>G</b>	0.7mm +/-0.2mm
<b>P</b>	4.6mm +/-0.2mm

**Packaging Specifications**

<b>Packaging:</b>	T&R
<b>Packaging Quantity:</b>	500

**General Information**

<b>Series:</b>	EDT
<b>Dielectric:</b>	Aluminum Electrolytic
<b>Style:</b>	SMD Can
<b>Description:</b>	Surface Mount, Aluminum Electrolytic
<b>RoHS:</b>	Yes
<b>Lead:</b>	V-Chip
<b>AEC-Q200:</b>	No

**Specifications**

<b>Capacitance:</b>	220 uF
<b>Capacitance Tolerance:</b>	20%
<b>Voltage DC:</b>	35 VDC, 44 VDC (Surge)
<b>Temperature Range:</b>	-40/+125°C
<b>Rated Temperature:</b>	125°C
<b>Life:</b>	2000 Hrs
<b>Dissipation Factor:</b>	14%
<b>Ripple Current:</b>	180 mAmps (120Hz 125C)
<b>Leakage Current:</b>	77 uA (2min 20°C)
<b>Impedance Ratio at -25C:</b>	2
<b>Impedance Ratio at -40C:</b>	3
<b>High Temperature Solder:</b>	Yes