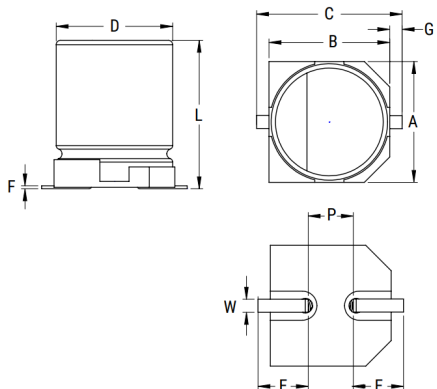


EDT, Aluminum Electrolytic, 220 uF, 20%, 10 VDC, -40/+125°C



| Dimensions |                 |
|------------|-----------------|
| D          | 8mm +/-0.5mm    |
| L          | 10.2mm +/-0.3mm |
| W          | 0.9mm +/-0.2mm  |
| F          | 0.3mm MAX       |
| A          | 8.3mm +/-0.2mm  |
| B          | 8.3mm +/-0.2mm  |
| C          | 10mm MAX        |
| E          | 3.4mm +/-0.2mm  |
| G          | 0.7mm +/-0.2mm  |
| P          | 3.1mm +/-0.2mm  |

| Packaging Specifications |     |
|--------------------------|-----|
| Packaging:               | T&R |
| Packaging Quantity:      | 500 |

| General Information |                                      |
|---------------------|--------------------------------------|
| Series:             | EDT                                  |
| Dielectric:         | Aluminum Electrolytic                |
| Style:              | SMD Can                              |
| Description:        | Surface Mount, Aluminum Electrolytic |
| RoHS:               | Yes                                  |
| Lead:               | V-Chip                               |
| AEC-Q200:           | No                                   |

| Specifications           |                        |
|--------------------------|------------------------|
| Capacitance:             | 220 uF                 |
| Capacitance Tolerance:   | 20%                    |
| Voltage DC:              | 10 VDC, 13 VDC (Surge) |
| Temperature Range:       | -40/+125°C             |
| Rated Temperature:       | 125°C                  |
| Life:                    | 2000 Hrs               |
| Dissipation Factor:      | 26%                    |
| Ripple Current:          | 130 mAmps (120Hz 125C) |
| Leakage Current:         | 22 uA (2min 20°C)      |
| Impedance Ratio at -25C: | 2                      |
| Impedance Ratio at -40C: | 3                      |
| High Temperature Solder: | Yes                    |