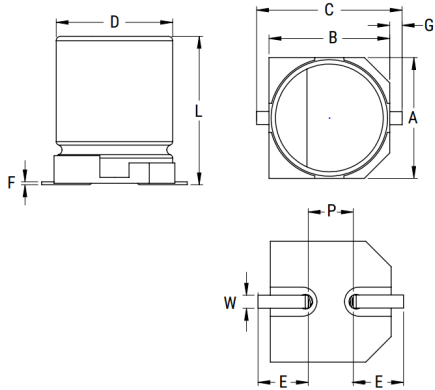


EDK, Aluminum Electrolytic, 220 uF, 20%, 50 VDC, -40/+85°C



Dimensions

| | |
|----------|-----------------|
| D | 10mm +/-0.5mm |
| L | 10.2mm +/-0.3mm |
| W | 0.9mm +/-0.2mm |
| F | 0.3mm MAX |
| A | 10.3mm +/-0.2mm |
| B | 10.3mm +/-0.2mm |
| C | 13mm MAX |
| E | 3.5mm +/-0.2mm |
| G | 0.7mm +/-0.2mm |
| P | 4.6mm +/-0.2mm |

Packaging Specifications

| | |
|----------------------------|------------|
| Packaging: | T&R, 380mm |
| Packaging Quantity: | 500 |

General Information

| | |
|---------------------|--------------------------------------|
| Series: | EDK |
| Dielectric: | Aluminum Electrolytic |
| Style: | SMD Can |
| Description: | Surface Mount, Aluminum Electrolytic |
| RoHS: | Yes |
| Lead: | V-Chip |
| AEC-Q200: | No |

Specifications

| | |
|---------------------------------|--|
| Capacitance: | 220 uF |
| Capacitance Tolerance: | 20% |
| Voltage DC: | 50 VDC, 63 VDC (Surge) |
| Temperature Range: | -40/+85°C |
| Rated Temperature: | 85°C |
| Life: | 2000 Hrs |
| Dissipation Factor: | 12% |
| Ripple Current: | 300 mAmps (120Hz), 408 mAmps (120Hz 50C) |
| Leakage Current: | 110 uA (2min 20°C) |
| Impedance Ratio at -25C: | 2 |
| Impedance Ratio at -40C: | 3 |
| High Temperature Solder: | Yes |