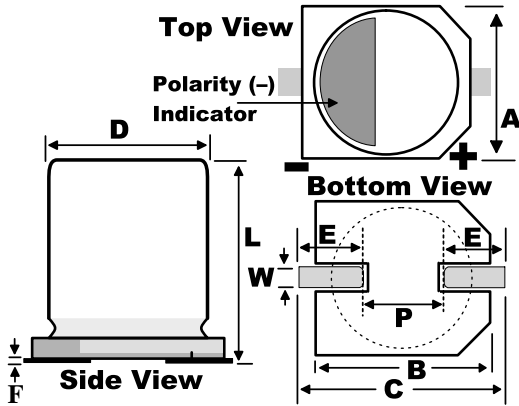


EDH, Aluminum Electrolytic, 105C, 470 uF, 20%, 63 VDC, -40/+105C



General Information	
Supplier:	KEMET
Series:	EDH
Dielectric:	Aluminum Electrolytic
Style:	SMD Can
Description:	Surface Mount, Aluminum Electrolytic
RoHS:	Yes
Lead:	V-Chip
Qualifications:	AEC-Q200
AEC-Q200:	Yes

Dimensions	
D	16mm +/-0.5mm
L	16.5mm +/-1mm
W	2mm +/-0.2mm
F	0.3mm MAX
A	16.3mm +/-0.2mm
B	16.3mm +/-0.2mm
C	18.7mm MAX
E	5.8mm +/-0.2mm
P	6mm +/-0.2mm

Specifications	
Capacitance:	470 uF
Capacitance Tolerance:	20%
Voltage DC:	63 VDC, 79 VDC (Surge)
Temperature Range:	-40/+105C
Rated Temperature:	105C
Life:	2000 Hrs
Dissipation Factor:	14.00% 120Hz 20C
Ripple Current:	700 mAmps (120Hz 105C)
Leakage Current:	296.1 uA (2min 20C)
Impedance Ratio at -25C:	2
Impedance Ratio at -40C:	3
High Temperature Solder:	Yes

Packaging Specifications	
Packaging:	T&R
Packaging Quantity:	125