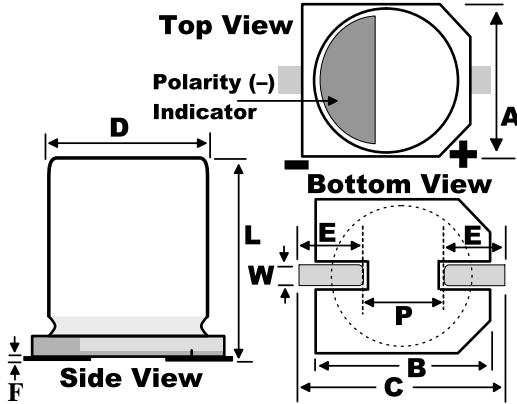


EDH, Aluminum Electrolytic, 105C, 33 uF, 20%, 400 VDC, -25/+105C



Dimensions	
D	16mm +/-0.5mm
L	16.5mm +/-1mm
W	2mm +/-0.2mm
F	0.3mm MAX
A	16.3mm +/-0.2mm
B	16.3mm +/-0.2mm
C	18.7mm MAX
E	5.8mm +/-0.2mm
P	6mm +/-0.2mm

Packaging Specifications	
Packaging:	T&R
Packaging Quantity:	125

General Information	
Supplier:	KEMET
Series:	EDH
Dielectric:	Aluminum Electrolytic
Style:	SMD Can
Description:	Surface Mount, Aluminum Electrolytic
RoHS:	Yes
Lead:	V-Chip

Specifications	
Capacitance:	33 uF
Capacitance Tolerance:	20%
Voltage DC:	400 VDC, 450 VDC (Surge)
Temperature Range:	-25/+105C
Rated Temperature:	105C
Life:	2000 Hrs
Dissipation Factor:	25.00% 120Hz 20C
Ripple Current:	85 mAmps (120Hz 105C)
Leakage Current:	132 uA (2min 20C)
Impedance Ratio at -25C:	4
High Temperature Solder:	Yes