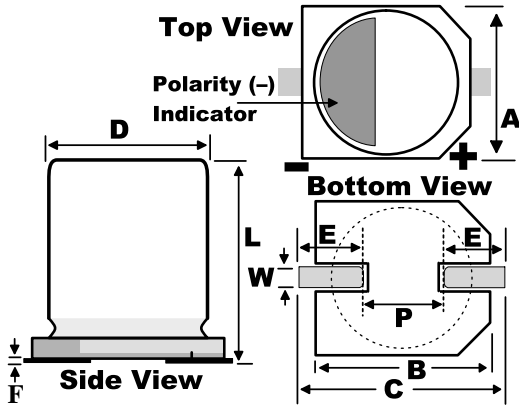


EDH, Aluminum Electrolytic, 105C, 100 uF, 20%, 100 VDC, -40/+105C



General Information	
Supplier:	KEMET
Series:	EDH
Dielectric:	Aluminum Electrolytic
Style:	SMD Can
Description:	Surface Mount, Aluminum Electrolytic
RoHS:	Yes
Lead:	V-Chip

Dimensions	
D	12.5mm +/-0.5mm
L	13.5mm +/-0.5mm
W	1.25mm +/-0.2mm
F	0.3mm MAX
A	12.8mm +/-0.2mm
B	12.8mm +/-0.2mm
C	15.2mm MAX
E	4.9mm +/-0.2mm
P	4.6mm +/-0.2mm

Specifications	
Capacitance:	100 uF
Capacitance Tolerance:	20%
Voltage DC:	100 VDC, 125 VDC (Surge)
Temperature Range:	-40/+105C
Rated Temperature:	105C
Life:	2000 Hrs
Dissipation Factor:	18.00% 120Hz 20C
Ripple Current:	300 mAmps (120Hz 105C)
Leakage Current:	100 uA (2min 20C)
Impedance Ratio at -25C:	2
Impedance Ratio at -40C:	3
High Temperature Solder:	Yes

Packaging Specifications	
Packaging:	T&R
Packaging Quantity:	200