

ECUO SERIES

OPTICAL MICRO FLYOVER ASSEMBLY

FEATURES

- Standard Temperature range from 0 °C to +70 °C
- Interchangeable with FireFly™ copper using the same micro connector system
- x4 & x12
- 14 Gbps, 16 Gbps and 28 Gbps
- Proven 850 nm VCSEL array
- Cost-effective multi-mode fiber
- Integral heat sink
- Angled fiber exit from the housing to minimize keep-out zone on the board
- Bend Radius: 7.5 mm
- Supports data center and HPC protocols, including: Ethernet, InfiniBand™, Fibre Channel, PCIe®. (See firefly@samtec.com)
- Evaluation & development boards available

SPECIFICATIONS

For complete specifications see www.samtec.com?ECUO

Class 1 LASER PRODUCT
per IEC 60825-1 Ed. 2 (2007)

ELECTRICAL SOLUTIONS

- Performance to 28 Gbps
 - Easily upgrade to optical with same connector system
- See ECUO Series.

MTP is a registered trademark of US Conec Ltd.

Patents:
8588562, 8588561
Additional patents pending

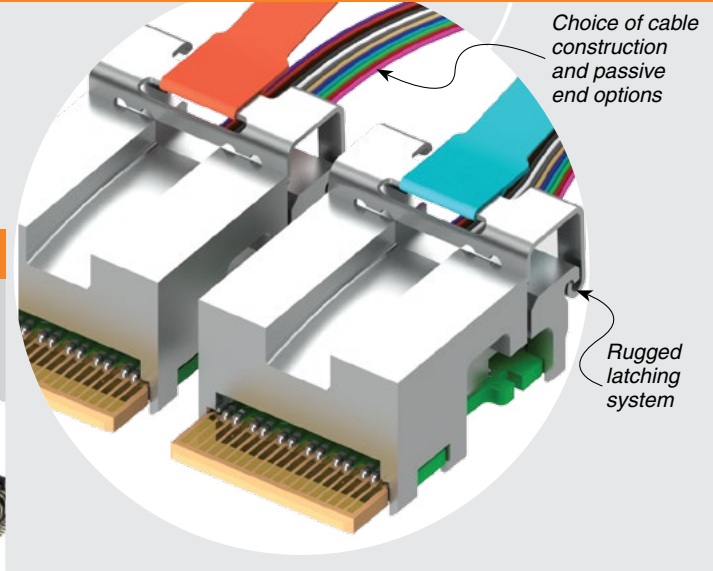
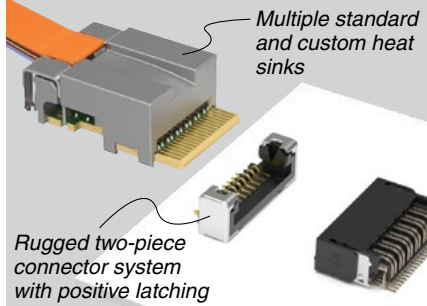
Note:
All FireFly™ designs, specifications and components are preliminary and subject to change without notice.

Mates with:
UEC5, UCC8, OPA

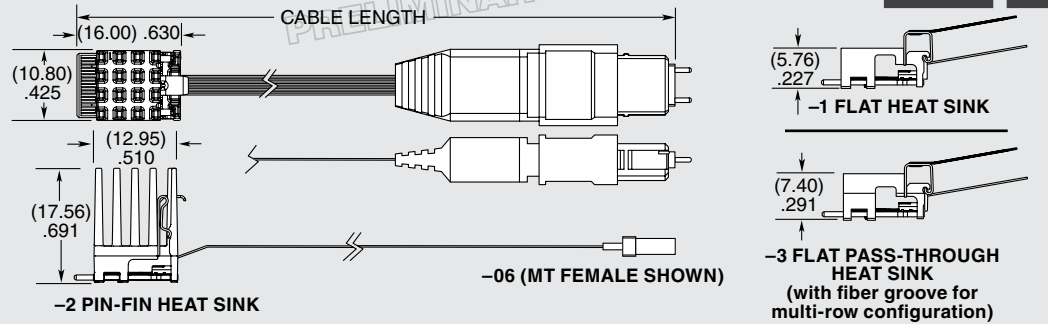
INSERTION TOOL

- CAT-IN-ECUO-02
- Contact Samtec.

APPLICATION



ECUO	WIDTH	DATA RATE	CABLE LENGTH	0	HEAT SINK	1	FIBER TYPE	END OPTION																		
-T12 = x12 Tx Simplex Optical	-R12 = x12 Rx Simplex Optical	-Y12 = x12 Duplex Optical (Y Configuration)	-B04 = x4 Duplex Optical	-14 = 14 Gbps (168 Gbps aggregate)	-16 = 16 Gbps (x12 only; 192 Gbps aggregate)	-28 = 28 Gbps (x4 only; 112 Gbps aggregate)	-14 = 14 Gbps (168 Gbps aggregate)	-16 = 16 Gbps (x12 only; 192 Gbps aggregate)	-28 = 28 Gbps (x4 only; 112 Gbps aggregate)	-“XXX” = Overall Length in Centimeters (011 cm to 999 cm) (Minimum length will depend on fiber type and End 2 option specified.)	-1 = Flat	-2 = Pin-fin (-14 & -16 only)	-3 = Flat with 3-Ribbon pass-through	-4 = PCIe® Pin-fin (-14 & -16 only)	-5 = Pin-fin (-28 only)	-1 = OM3 Low Bend Radius Ribbon	-2 = OM3 Low Bend Radius Loose Tube	-Y12 requires -2(X) options*	-01 = MTP® 12F key down, male	-21* = MTP 24F key down, male	-02 = MTP® 12F key down, female	-22* = MTP 24F key down, female	-05 = MT 12F male	-25* = MT 24F male	-06 = MT 12F female	-26* = MT 24F female



Due to technical progress, all designs, specifications and components are subject to change without notice.

WWW.SAMTEC.COM

All parts within this catalog are built to Samtec's specifications. Customer specific requirements must be approved by Samtec and identified in a Samtec customer-specific drawing to apply.